

HYDROMECHANICA®

del Ecuador S.A.



ACUMULADORES DE PRESIÓN NO REPARABLES

Accumulators, Inc.®

BLADDER | PISTON | DIAPHRAGM



HYDROMECHANICA®
del Ecuador S.A.

El mundo Hidráulico

MATRIZ:

Dirección: Clemente Ballén 1707 y Av. del Ejército.
Telef: 2323939 - 2531923 - 2522228
0999586009
ventas2@hydromecanica.com

QUITO:

Dirección: Av. 6 de Diciembre N48-103 y
Manuel de Lizarzaburu
Telef: (02)2409322 - (02)2411921 0983729761
ventas_quito@hydromecanica.com

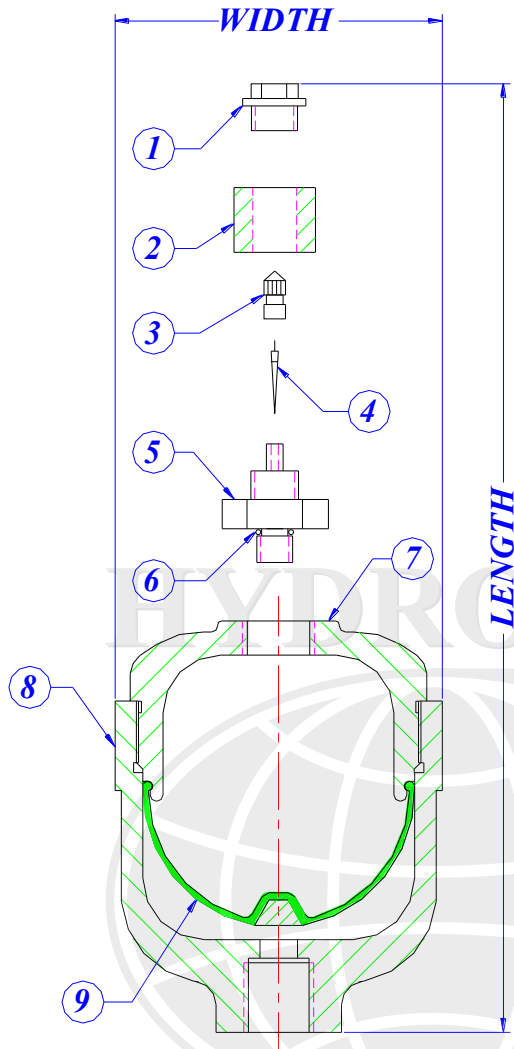
SUCURSAL NORTE:

Dirección: Km.3 Av. Juan Tanca Marengo,
Frente a Caterpillar, a lado de las antenas de TV Cable.
Telef: 2381994 - 2315850 0997689047
hydecua_gye@hydromecanica.com



BLADDER | PISTON | DIAPHRAGM

6 y 20 pulgadas cúbicas 3000 psi AccuMight



List of Component Parts		Alternate Service ¹			
		Part Number (OS)	WS	SS	XS
1	Safety Cap	AI-1QT-308		N/A ²	N/A ²
1	Safety Cap O-Ring	AI-1QT-309		N/A ²	N/A ²
2	Protective Cap	AI-1QT-306		-4-SS	-4-SS
3	Valve Cap	AI-1QT-303			
4	Valve Core	AI-S-304			
5	AccuMight [®] Gas Valve	AM-309			
6	Gas Valve O-Ring	AM-310			
7	Shell	Not for Sale	N/A	N/A	N/A
8	Label	AM-413			
9	Bladder ³				
	Buna-Nitrile	AM-X-3KT			
	Fluorocarbon	AM-X-3KT-V			
	Low Temp Buna				

del Ecuador S.A.

Standard Configuration

ASTM A 350 LF2 Forged Steel Shell
Shell Externally Painted Black
³/₄"-16 SAE Female Fluid Port
Buna-Nitrile Rubber Components

Optional Configuration (at extra cost)

Resin Coatings, Internal (WS)
Electroless Nickel Plating, Internal & External (SS)
Resin Coating – ID, 3 Part Marine Epoxy Paint – OD (XS)
Stainless Steel Components
Fluorocarbon Bladder
Call Factory for Other Options

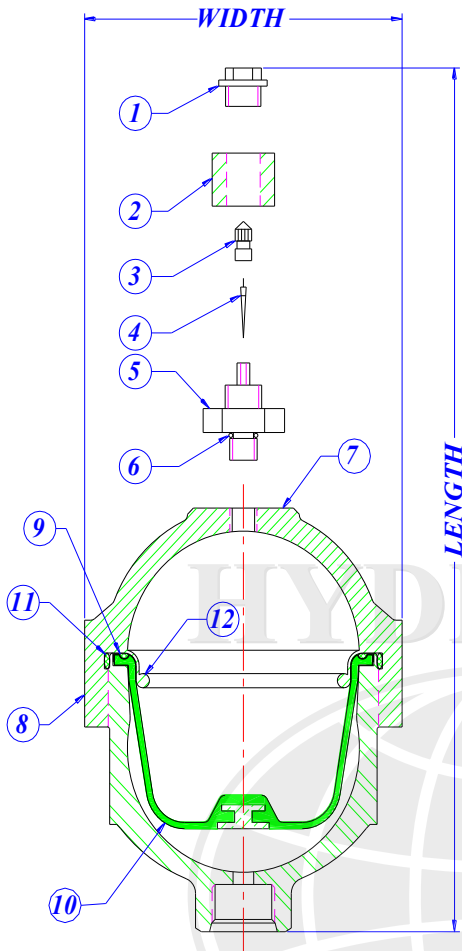
Dimensions ⁴			
Part Number	Length	Width	Weight
AM631003	5.8"	3.0"	4.4 lbs
AM2031003	6.8"	3.9"	6.6 lbs

¹ OS-Oil Service, WS- Water Service, SS-Special Service, XS-Extreme Service
² Special service accumulator uses a solid protective cap
³ Insert the size of the AccuMight[®] for X, i.e. AM-6-3KT for a 6 cu. in. bladder
⁴ Nominal dimensions. Manufacturing variations will occur



BLADDER | PISTON | DIAPHRAGM

30 y 45 pulgada cúbica 3000 psi AccuMight



List of Component Parts		Alternate Service ¹		
Description	Part Number (OS)	WS	SS	XS
1 Safety Cap	AI-1QT-308		N/A ²	N/A ²
1 Safety Cap O-ring	AI-1QT-309		N/A ²	N/A ²
2 Protective Cap	AI-1QT-306	-SS	-4-SS	-4-SS
3 Valve Cap	AI-1QT-303			
4 Valve Core	AI-S-304			
5 AccuMight [®] Gas Valve	AM-309			
6 Gas Valve O-Ring	AM-310			
7 Shell	Not for Sale	NA/	N/A	N/A
8 Label	AM-413			
9 Teflon Ring	AM-411			
10 Bladder Kit ³				
Buna-Nitrile	AM-45-3KT			
Fluorocarbon	AM-45-3KT-V			
11 Metal Ring	AM-412			
12 O-Ring	AM-410-L			

HYDROMECHANICA[®]
del Ecuador S.A.

Standard Configuration

ASTM A 350 LF2 Forged Steel Shell
Shell Externally Painted Black
1 1/16"-12 SAE Female Fluid Port
Buna-Nitrile Rubber Components

Dimensions ⁴			
Part Number	Length	Width	Weight
AM3031003	7.5"	4.5"	9.4 lbs
AM4531003	8.2"	5.4"	13.3 lbs

Optional Configuration (at extra cost)

Resin Coatings, Internal (WS)
Electroless Nickel Plating, Internal & External (SS)
Resin Coating - ID, 3 Part Marine Epoxy Paint - OD (XS)
Stainless Steel Components
Call Factory for Other Options

El mundo Hidráulico

¹ OS-Oil Service, WS- Water Service, SS-Special Service, XS- Extreme Service

² Special service accumulator uses a solid protective cap

³ Bladder kit consists of the following parts: 9, 10, and 12

⁴ Nominal dimensions. Manufacturing variations will occur

MATRIZ:

Dirección: Clemente Ballén 1707 y Av. del Ejercito.
Telef: 2323939 - 2531923 - 2522228
0999586009
ventas2@hydromecanica.com

QUITO:

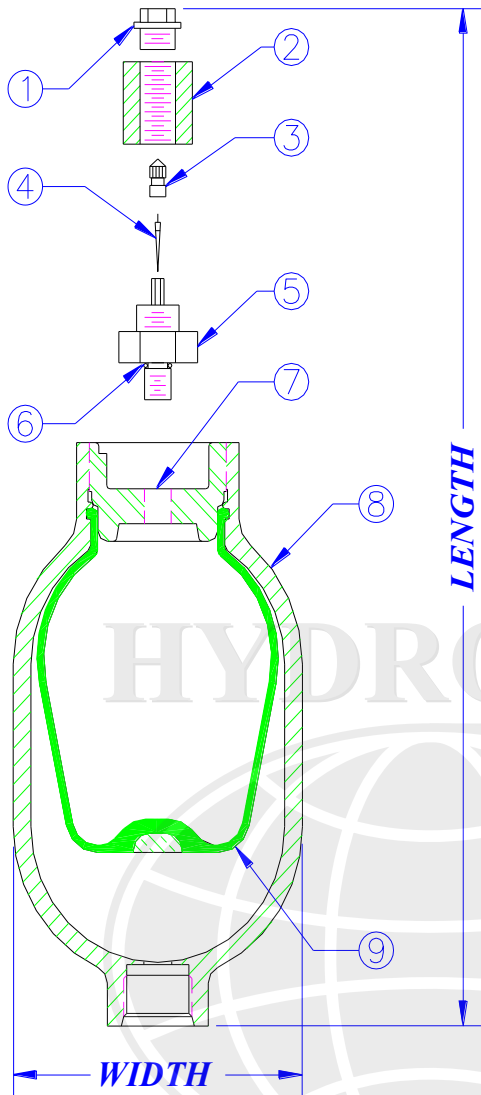
Dirección: Av. 6 de Diciembre N48-103 y
Manuel de Lizarzaburu
Telef: (02)2409322 - (02)2411921 0983729761
ventas_quito@hydromecanica.com

SUCURSAL NORTE:

Dirección: Km.3 Av. Juan Tanca Marengo,
Frente a Caterpillar, a lado de las antenas de TV Cable.
Telef: 2381994 - 2315850 0997689047
hydecua_gye@hydromecanica.com



BLADDER | PISTON | DIAPHRAGM



45 y 60 pulgadas cúbicas Top reparables 3000 psi AccuMight

List of Component Parts		Alternate Service ¹		
Description	Part Number (OS)	WS	SS	XS
1 Safety Cap	AI-1QT-308		N/A ²	N/A ²
1 Safety Cap O-Ring	AI-1QT-309		N/A ²	N/A ²
2 Protective Cap	AI-1QT-306	-SS	-4-SS	-4-SS
3 Valve Cap	AI-1QT-303			
4 Valve Core	AI-S-304			
5 AccuMight [®] Gas Valve	AM-309			
6 Gas Valve O-Ring	AM-310			
7 Shell	Not for Sale	N/A	N/A	N/A
8 Label	AM-413			
9 Bladder Kit ³				
	Buna-Nitrile			
	Fluorocarbon			

HYDROMECHANICA[®]
del Ecuador S.A.

Standard Configuration

ASTM A 250 LF2 Forged Steel Shell
Shell Externally Painted Black
1 1/16"-12 SAE Female Fluid Port
Buna-Nitrile Rubber Components

Dimensions ⁴			
Part Number	Length	Width	Weight
AM45TR31003	8.3"	4.6"	9.4 lbs
AM60TR31003	9.0"	4.6"	10.0 lbs

Optional Configuration (at extra cost)

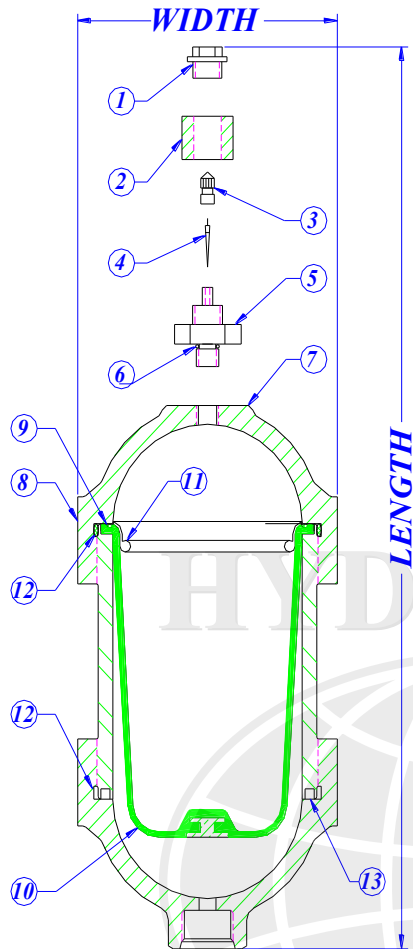
Resin Coatings, Internal (WS)
Electroless Nickel Plating, Internal & External (SS)
Resin Coating - ID, 3 Part Marine Epoxy Paint - OD (XS)
Stainless Steel Components
Call Factory for Other Options

¹ OS-Oil Service, WS- Water Service, SS-Special Service, XS-Extreme Service
² Special service accumulator uses a solid protective cap
³ Insert the size of the AccuMight[®] for X, i.e. AI-90-TR-3KT for a 90 cu. in. TR bladder kit. Bladder kit consists of the following part: 9
⁴ Nominal dimensions. Manufacturing variations will occur



BLADDER | PISTON | DIAPHRAGM

90 y 150 pulgadas cúbicas 3000 psi AccuMight



List of Component Parts		Alternate Service ¹			
Description	Part Number (OS)	WS	SS	XS	
1	Safety Cap	AI-1QT-308		N/A ²	N/A ²
1	Safety Cap O-Ring	AI-1QT-309		N/A ²	N/A ²
2	Protective Cap	AI-1QT-306	-SS	-4-SS	-4-SS
3	Valve Cap	AI-1QT-303			
4	Valve Core	AI-S-304			
5	AccuMight [®] Gas Valve	AM-309			
6	Gas Valve O-Ring	AM-310			
7	Shell	Not for Sale	N/A	N/A	N/A
8	Label	AM-413			
9	Teflon Ring	AM-411			
10	Bladder Kit ³				
	Buna-Nitrile	AM-X-3KT			
	Fluorocarbon	AM-X-3KT-V			
11	Metal Ring	AM-412			
12	Large O-Ring	AM-410-L			
13	Small O-Ring	AM-410-S			

HYDROMECHANICA[®]
del Ecuador S.A.

Standard Configuration

ASTM A 250 LF2 Forged Steel Shell
Shell Externally Painted Black
1 1/16"-12 SAE Female Fluid Port
Buna-Nitrile Rubber Components

Dimensions⁴

Part Number	Length	Width	Weight
AM9031003	12.1"	5.4"	22.1 lbs
AM15031003	18.1"	5.4"	31.9 lbs

Optional Configuration (at extra cost)

Resin Coatings, Internal (WS)
Electroless Nickel Plating, Internal & External (SS)
Resin Coating – ID, 3 Part Marine Epoxy Paint – OD (XS)
Stainless Steel Components
Call Factory for Other Options

1 OS-Oil Service, WS- Water Service, SS-Special Service, XS-Extreme Service

2 Special service accumulator uses a solid protective cap

3 Insert the size of the AccuMight[®] for X, i.e. AI-90-3KT for a 90 cu. in. bladder kit. Bladder kit consists of the following parts: 9, 10, 12, and 13

4 Nominal dimensions. Manufacturing variations will occur

MATRIZ:

Dirección: Clemente Ballén 1707 y Av. del Ejercito.
Telef: 2323939 - 2531923 - 2522228
0999586009
ventas2@hydromecanica.com

QUITO:

Dirección: Av. 6 de Diciembre N48-103 y
Manuel de Lizarzaburu
Telef: (02)2409322 - (02)2411921 0983729761
ventas_quito@hydromecanica.com

SUCURSAL NORTE:

Dirección: Km.3 Av. Juan Tanca Marengo,
Frente a Caterpillar, a lado de las antenas de TV Cable.
Telef: 2381994 - 2315850 0997689047
hydecua_gye@hydromecanica.com