



ACUMULADORES DE PRESIÓN REPARABLES

4000-5000-6000-10000 PSI



BLADDER | PISTON | DIAPHRAGM



HYDROMECHANICA® del Ecuador S.A.

CODIGOS STANDARD DE ACUMULADORES

MEDIDAS	CODIGO 4000 PSI	CODIGO 5000 PSI	CODIGO 6000 PSI	CODIGO 10.000 PSI
1/4 de galón		A1QT5100		
1 Galón	A14100		A15100	
2,5 Galones	A2.54100		A2.54100	A2.510100
5 Galones	A53100		A56100	A510100
10 Galones	A104100		A106100	A1010100
11 Galones				
15 Galones	A154100		A156100	A1510100

MATRIZ:

Dirección: Clemente Ballén 1707 y Av. del Ejercito.
 Telef: 2323939 - 2531923 - 2522228
 0999586009
 ventas2@hydromecanica.com

QUITO:

Dirección: Av. 6 de Diciembre N48-103 y
 Manuel de Lizarzaburu
 Telef: (02)2409322 - (02)2411921 0983729761
 ventas_quito@hydromecanica.com

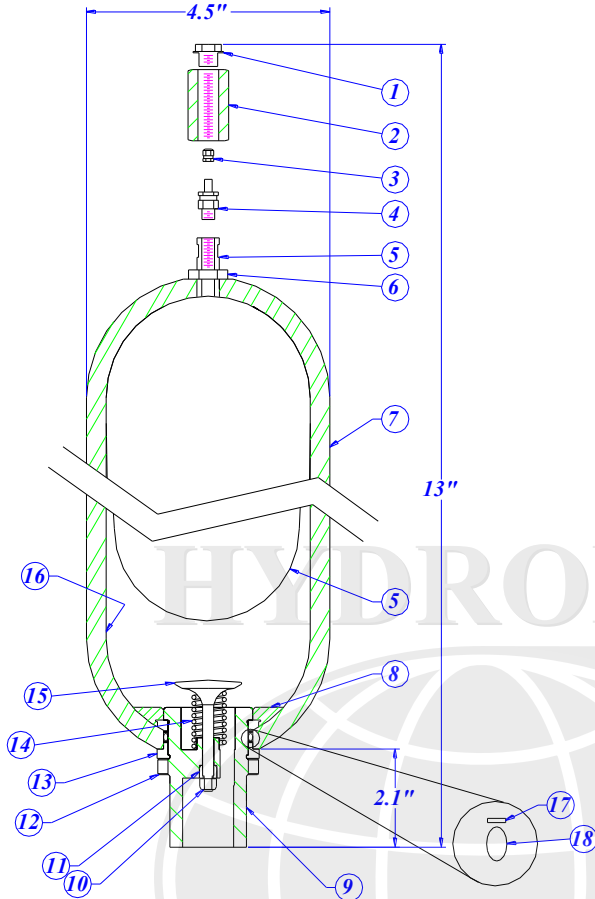
SUCURSAL NORTE:

Dirección: Km.3 Av. Juan Tanca Marengo,
 Frente a Caterpillar, a lado de las antenas de TV Cable.
 Telef: 2381994 - 2315850 0997689047
 hydecua_gye@hydromecanica.com



BLADDER | PISTON | DIAPHRAGM

1/4 de 5000 psi inferior reparable Acumuladores



List of Component Parts	Description	Part Number (OS)	Alternate Service ¹		
			WS	SS	XS
1	Safety Cap	AI-S-308		N/A ²	N/A ²
1	Safety Cap O-Ring	AI-S-309		N/A ²	N/A ²
2	Protective Cap	AI-306-1	-SS	-2-SS	-2-SS
3	Valve cap	AI-S-303			
4	Gas Valve	AI-S5-309			
4	High Pressure Gas Valve O-Ring	AI-S6-310			
5	Bladder Kit ³				
	Buna-Nitrile	AI-1QT-5-3KT		-SS	-SS
	Butyl	AI-1QT-5-3KT-B		-SS	-SS
	EPR	AI-1QT-5-3KT-E		-SS	-SS
	Fluorocarbon	AI-1QT-5-3KT-V		-SS	-SS
	Hydrin	AI-1QT-5-3KT-H		-SS	-SS
	Low Temp Buna	AI-1QT-5-3KT-L		-SS	-SS
6	Hex Jam Nut	AI-S-305	-SS	-SS	-SS
7	Caution Label	AI-1QT-414			
7	Info Label	AI-1QT-421			
8	Anti-Extrusion Ring				
	Buna-Nitrile	AI-1QT-407	-WS	-WS	-WS
	EPDM	AI-1QT-407-E	-WS	-WS	-WS
	Fluorocarbon	AI-1QT-407-V	-WS	-WS	-WS
9	Fluid Port ⁴	AI-1QT-402	-WS	-SS	-SS
10	Stop Nut	AI-1QT-408	-SS	-SS	-SS
11	Piston	AI-1QT-405	-SS	-SS	-SS
12	Locknut	AI-1QT-403	-WS	-SS	-SS
13	Spacer	AI-1QT-406	-WS	-SS	-SS
14	Spring	AI-1QT-409	-SS	-SS	-SS
15	Poppet	AI-1QT-404	-SS	-SS	-SS
16	Shell (5000 psi)	Not for Sale	N/A	N/A	N/A
17	Metal Back-Up Ring	AI-1QT-412	-SS	-SS	-SS
18	O-Ring				
	Buna-Nitrile	AI-1QT-410			
	EPDM	AI-1QT-410-E			
	Fluorocarbon	AI-1QT-410-V			

Standard Configuration

SA 372 Chrome-moly Steel Shell
C-1018 and 4130 or 4140 Components
3/4" NPT Female Fluid Port
Buna-Nitrile Rubber Components

Dimensions ⁵	
Part Number	Weight
A1QT5100	9.5 lbs

Optional Configuration (at extra cost)

Resin Coatings, Internal (WS)
Electroless Nickel Plating, Internal & External (SS)
Resin Coating - ID, 3 Part Marine Epoxy Paint - OD (XS)
Stainless Steel Components
Foreign and Domestic Codes
Call Factory for Other Options

Fluid Port Options	
Fluid Port Type	Designation
3/4" NPT Female	None
Metric Female	-2
1 1/16" -12 SAE Female	-3
Code 61, 3/4" SAE Split Flange	-4
BSPP Female	-7
Other	Call
Special Materials	Call

¹ OS-Oil Service, WS- Water Service, SS-Special Service, XS-Extreme Service
² Special service accumulator uses a solid protective cap
³ Bladder kit consists of the following parts: 3, 4, 5, 17, and 18
⁴ See Oil Port Configuration for options
⁵ Nominal dimensions. Manufacturing variations will occur. Allow +/-0.2".

MATRIZ:
Dirección: Clemente Ballén 1707 y Av. del Ejercito.
Telef: 2323939 - 2531923 - 2522228
0999586009
ventas2@hydromecanica.com

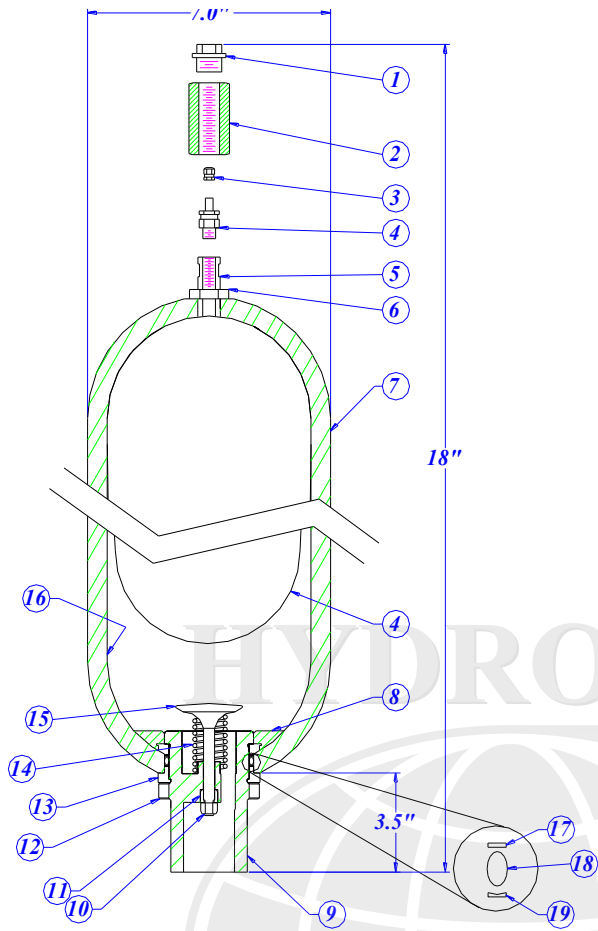
QUITO:
Dirección: Av. 6 de Diciembre N48-103 y
Manuel de Lizarzaburu
Telef: (02)2409322 - (02)2411921 0983729761
ventas_quito@hydromecanica.com

SUCURSAL NORTE:
Dirección: Km.3 Av. Juan Tanca Marengo,
Frente a Caterpillar, a lado de las antenas de TV Cable.
Telef: 2381994 - 2315850 0997689047
hydecua_gye@hydromecanica.com



BLADDER | PISTON | DIAPHRAGM

1 galón 5000 psi inferior reparable Acumulador



List of Component Parts		Alternate Service ¹		
Description	Part Number (OS)	WS	SS	XS
1 Safety Cap	AI-S-308		N/A ²	N/A ²
1 Safety Cap O-Ring	AI-S-309		N/A ²	N/A ²
2 Protective Cap	AI-306	-SS	-2-SS	-2-SS
3 Valve cap	AI-S-303			
4 Gas Valve	AI-S6-309			
4 High Pressure Gas Valve O-Ring	AI-S6-310			
5 Bladder Kit ³				
Buna-Nitrile	AI-1-6-3KT		-SS	-SS
Butyl	AI-1-6-3KT-B		-SS	-SS
EPR	AI-1-6-3KT-E		-SS	-SS
Fluorocarbon	AI-1-6-3KT-V		-SS	-SS
Hydrin	AI-1-6-3KT-H		-SS	-SS
Low Temp Buna	AI-1-6-3KT-L		-SS	-SS
6 Hex Jam Nut	AI-S-305	-SS	-SS	-SS
7 Info Label	AI-S-421			
8 Anti-Extrusion Ring				
Buna-Nitrile	AI-1-6-407	-WS	-WS	-WS
EPDM	AI-1-6-407-E	-WS	-WS	-WS
Fluorocarbon	AI-1-6-407-V	-WS	-WS	-WS
9 Fluid Port ⁴	AI-1-6-402	-WS	-SS	-SS
10 Stop Nut	AI-1-408	-SS	-SS	-SS
11 Piston	AI-1-405	-SS	-SS	-SS
12 Locknut	AI-1-5-403	-WS	-SS	-SS
13 Spacer	AI-1-406	-WS	-SS	-SS
14 Spring	AI-1-409	-SS	-SS	-SS
15 Poppet	AI-1-404	-SS	-SS	-SS
16 Shell (5000 psi)	Not for Sale	N/A	N/A	N/A
17 Metal Back-Up Ring	AI-1-412	-SS	-SS	-SS
18 O-Ring				
Buna-Nitrile	AI-1-410			
EPDM	AI-1-410-E			
Fluorocarbon	AI-1-410-V			
19 Rubber O-Ring	AI-1-411			

Standard Configuration

SA 372 Chrome-moly Steel Shell
C-1018 and 4130 or 4140 Components
1 1/4" NPT Female Fluid Port
Buna-Nitrile Rubber Components

Dimensions⁵

Part Number	Weight
AI5100	36 lbs

Optional Configuration (at extra cost)

Resin Coatings, Internal (WS)
Electroless Nickel Plating, Internal & External (SS)
Resin Coating - ID, 3 Part Marine Epoxy Paint - OD (XS)
Stainless Steel Components
Foreign and Domestic Codes
Call Factory for Other Options

Fluid Port Options

Fluid Port Type	Designation
1 1/4" NPT Female	None
Metric Female	-2
1 3/8"-12 SAE Female	-3
Code 62, 1 1/4" SAE Split Flange	-4
BSPP Female	-7
Other	Call
Special Materials	Call

1 OS-Oil Service, WS- Water Service, SS-Special Service, XS-Extreme Service
2 Special service accumulator uses a solid protective cap
3 Bladder kit consists of the following parts: 3, 4, 5, 17, 18, and 19
4 See Oil Port Configuration for options
5 Nominal dimensions. Manufacturing variations will occur. Allow +/- .2".

MATRIZ:

Dirección: Clemente Ballén 1707 y Av. del Ejercito.
Telef: 2323939 - 2531923 - 2522228
0999586009
ventas2@hydromecanica.com

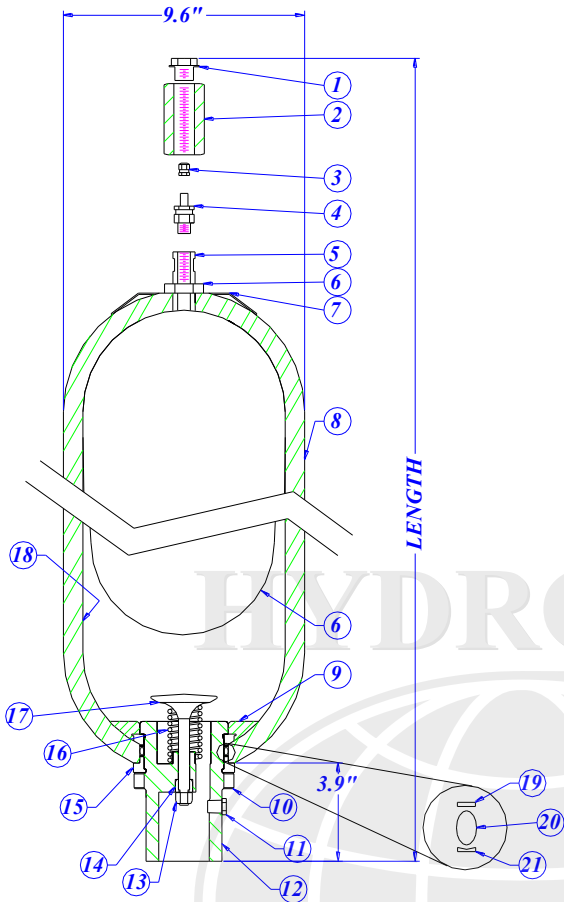
QUITO:

Dirección: Av. 6 de Diciembre N48-103 y
Manuel de Lizarzaburu
Telef: (02)2409322 - (02)2411921 0983729761
ventas_quito@hydromecanica.com

SUCURSAL NORTE:

Dirección: Km.3 Av. Juan Tanca Marengo,
Frente a Caterpillar, a lado de las antenas de TV Cable.
Telef: 2381994 - 2315850 0997689047
hydecua_gye@hydromecanica.com

2.5-15 galones 6000 psi inferior Acumuladores reparables



List of Component Parts		Alternate Service ¹		
Description	Part Number (OS)	WS	SS	XS
1 Safety Cap	AI-S-308			
1 Safety Cap O-Ring	AI-S-309		N/A ²	N/A ²
2 Protective Cap	AI-306-1	-SS	-4-SS	-4-SS
3 Valve Cap	AI-S-303			
4 High Pressure Gas Valve	AI-S6-309			
4 High Pressure Gas Valve O-Ring	AI-S6-310			
5 Bladder Kit ³				
Buna-Nitrile	AI-X-6-3KT		-SS	-SS
Butyl	AI-X-6-3KT-B		-SS	-SS
EPR	AI-X-6-3KT-E		-SS	-SS
Fluorocarbon	AI-X-6-3KT-V		-SS	-SS
Hydrin	AI-X-6-3KT-H		-SS	-SS
Low Temp Buna	AI-X-6-3KT-L		-SS	-SS
6 Hex Jam Nut	AI-S-305	-SS	-SS	-SS
7 Name Plate	AI-S-413			
8 Caution Label	AI-S-421			
9 Anti-Extrusion Ring				
Buna-Nitrile	AI-S-407	-WS	-WS	-WS
EPDM	AI-S-407-E	-WS	-WS	-WS
Fluorocarbon	AI-S-407-V	-WS	-WS	-WS
10 Locknut	AI-S-403	-WS	-SS	-SS
11 Bleed Plug				
1/4" NPT	AI-S-418	-SS	-SS	-SS
7/16"-20 SAE	AI-S-419	-SS	-SS	-SS
12 Fluid Port ⁴	AI-S6-402	-WS	-SS	-SS
13 Stop Nut	AI-S-408	-SS	-SS	-SS
14 Piston	AI-S-405	-SS	-SS	-SS
15 Spacer	AI-S6-406	-WS	-SS	-SS
16 Spring	AI-S6-409	-SS	-SS	-SS
17 Poppet	AI-S-404	-SS	-SS	-SS
18 Shell (6000 psi)	Not for Sale	N/A	N/A	N/A
19 Metal Back-Up Ring	AI-S-412	-SS	-SS	-SS
20 O-Ring				
Buna-Nitrile	AI-S-410			
EPDM	AI-S-410-E			
Fluorocarbon	AI-S-410-V			
21 Rubber Back-Up Ring	AI-S-411			

Standard Configuration

SA 372 Chrome-moly Steel Shell
2 Piece High Pressure Replaceable Gas Valve
C-1018 and 4130 or 4140 Components
2" NPT Female Fluid Port
Buna-Nitrile Rubber Components

Optional Configuration (at extra cost)

Resin Coatings, Internal (WS)
Electroless Nickel Plating, Internal & External (SS)
Resin Coating - ID, 3 Part Marine Epoxy Paint - OD (XS)
Stainless Steel Components
Foreign and Domestic Codes
Call Factory for Other Options

Dimensions ⁵		
Part Number	Length	Weight
A2.56100	22"	118 lbs
A56100	34"	198 lbs
A106100	55"	308 lbs
A156100	79"	468 lbs

Fluid Port Options	
Fluid Port Type	Designation
2" NPT Female	None
1 1/4" NPT Female	-1
Metric Female	-2
1 1/8"-12 SAE Female	-3
Code 62, 1 1/2" SAE Split Flange	-4
BSPP Female	-7
Other	Call
Special Materials	Call

1 OS-Oil Service, WS- Water Service, SS-Special Service, XS-Extreme Service

2 Special service accumulator uses a solid protective cap

3 Insert the size of the accumulator for X, i.e. AI-2.5-6-3KT for a 2.5 gallon bladder kit. Bladder kit consists of the following parts: 3, 4, 5, 19, 20, and 21

4 See Oil Port Configuration for options

5 Nominal dimensions. Manufacturing variations will occur. Allow +/-1/2".

MATRIZ:

Dirección: Clemente Ballén 1707 y Av. del Ejercito.
Telef: 2323939 - 2531923 - 2522228
0999586009
ventas2@hydromecanica.com

QUITO:

Dirección: Av. 6 de Diciembre N48-103 y
Manuel de Lizarzaburu
Telef: (02)2409322 - (02)2411921 0983729761
ventas_quito@hydromecanica.com

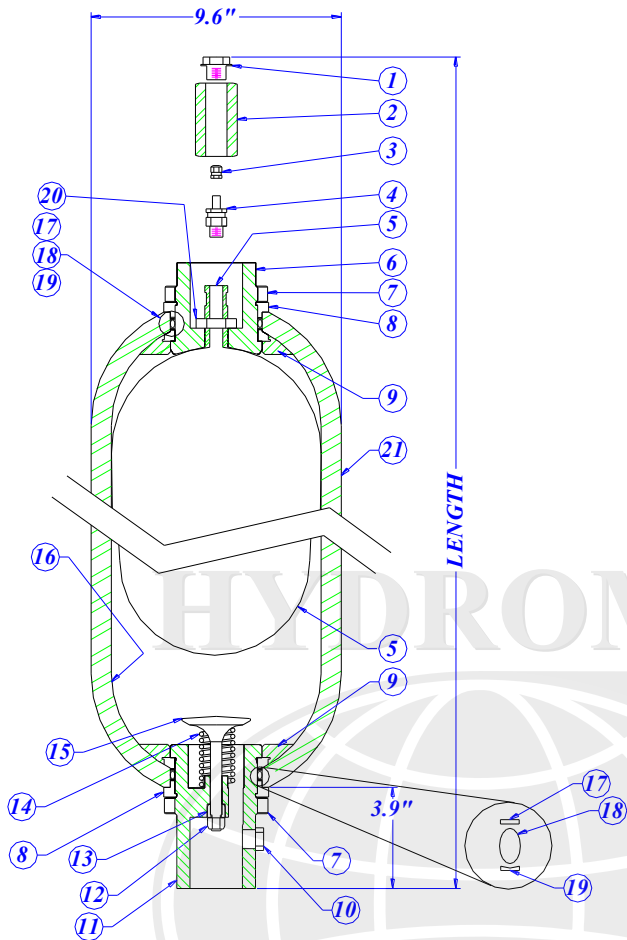
SUCURSAL NORTE:

Dirección: Km.3 Av. Juan Tanca Marengo,
Frente a Caterpillar, a lado de las antenas de TV Cable.
Telef: 2381994 - 2315850 0997689047
hydecua_gye@hydromecanica.com



BLADDER | PISTON | DIAPHRAGM

2.5-15 galones 6000 psi Top Reparables Acumuladores



List of Component Parts		Alternate Service ¹		
Description	Part Number (OS)	WS	SS	XS
1 Safety Cap	AI-S-308		N/A ²	N/A ²
1 Safety Cap O-Ring	AI-S-309		N/A ²	N/A ²
2 Protective Cap	AI-306-1	-SS	-4-SS	-4-SS
3 Valve Cap	AI-S-303			
4 High Pressure Gas Valve	AI-S6-309			
4 High Pressure Gas Valve O-Ring	AI-S6-310			
5 Bladder Kit ³				
Buna-Nitrile	AI-X-6-3KT		-SS	-SS
Butyl	AI-X-6-3KT-B		-SS	-SS
EPR	AI-X-6-3KT-E		-SS	-SS
Fluorocarbon	AI-X-6-3KT-V		-SS	-SS
Hydrin	AI-X-6-3KT-H		-SS	-SS
Low Temp Buna	AI-X-6-3KT-L		-SS	-SS
6 Top Load Adapter	AI-TR6-208	-WS	-SS	-SS
7 Locknut, Qty 2	AI-S-403	-WS	-SS	-SS
8 Spacer, Qty 2	AI-S6-406	-WS	-SS	-SS
9 Anti-Extrusion Ring, Qty 2				
Buna-Nitrile	AI-S-407	-WS	-WS	-WS
EPDM	AI-S-407-E	-WS	-WS	-WS
Fluorocarbon	AI-S-407-V	-WS	-WS	-WS
10 Bleed Plug				
1/4" NPT	AI-S-418	-SS	-SS	-SS
7/16"-20 SAE	AI-S-419	-SS	-SS	-SS
11 Fluid Port ⁴	AI-S6-402	-WS	-SS	-SS
12 Stop Nut	AI-S-408	-SS	-SS	-SS
13 Piston	AI-S-405	-SS	-SS	-SS
14 Spring	AI-S6-409	-SS	-SS	-SS
15 Poppet	AI-S-404	-SS	-SS	-SS
16 Shell (6000 psi)	Not for Sale	N/A	N/A	N/A
17 Metal Back-Up Ring, Qty 2	AI-S-412	-SS	-SS	-SS
18 O-Ring, Qty 2				
Buna-Nitrile	AI-S-410			
EPDM	AI-S-410-E			
Fluorocarbon	AI-S-410-V			
19 Rubber Back-Up Ring, Qty 2	AI-S-411			
20 Hex Jam Nut	AI-S-305	-SS	-SS	-SS
21 Caution Label	AI-S-421			

Standard Configuration

SA 372 Chrome-moly Steel Shell
2 Piece High Pressure Replaceable Gas Valve
C-1018 and 4130 or 4140 Components
1 1/4" NPT Female Fluid Port
Buna-Nitrile Rubber Components

Optional Configuration (at extra cost)

Resin Coatings, Internal (WS)
Electroless Nickel Plating, Internal & External (SS)
Resin Coating - ID, 3 Part Marine Epoxy Paint - OD (XS)
Stainless Steel Components
Foreign and Domestic Codes
Call Factory for Other Options

Dimensions⁵

Part Number	Length	Weight
A2.5TR6100	22"	120 lbs
A5TR6100	34"	200 lbs
A10TR6100	55"	310 lbs
A15TR6100	79"	470 lbs

Fluid Port Options

Fluid Port Type	Designation
1 1/4" NPT Female	None
Metric Female	-2
1 7/8"-12 SAE Female	-3
Code 62, 1 1/2" SAE Split Flange	-4
BSPP Female	-7
Other	Call
Special Materials	Call

¹ OS-Oil Service, WS- Water Service, SS-Special Service, XS-Extreme Service

² Special service accumulator uses a solid protective cap

³ Insert the size of the accumulator for X, i.e. AI-2.5-3KT for a 2.5 gallon bladder kit. Bladder kit consists of the following parts: 4,5,18,19,20

⁴ See Oil Port Configuration for options

⁵ Nominal dimensions. Manufacturing variations will occur. Allow +/- .2".

MATRIZ:

Dirección: Clemente Ballén 1707 y Av. del Ejercito.
Telef: 2323939 - 2531923 - 2522228
0999586009
ventas2@hydromecanica.com

QUITO:

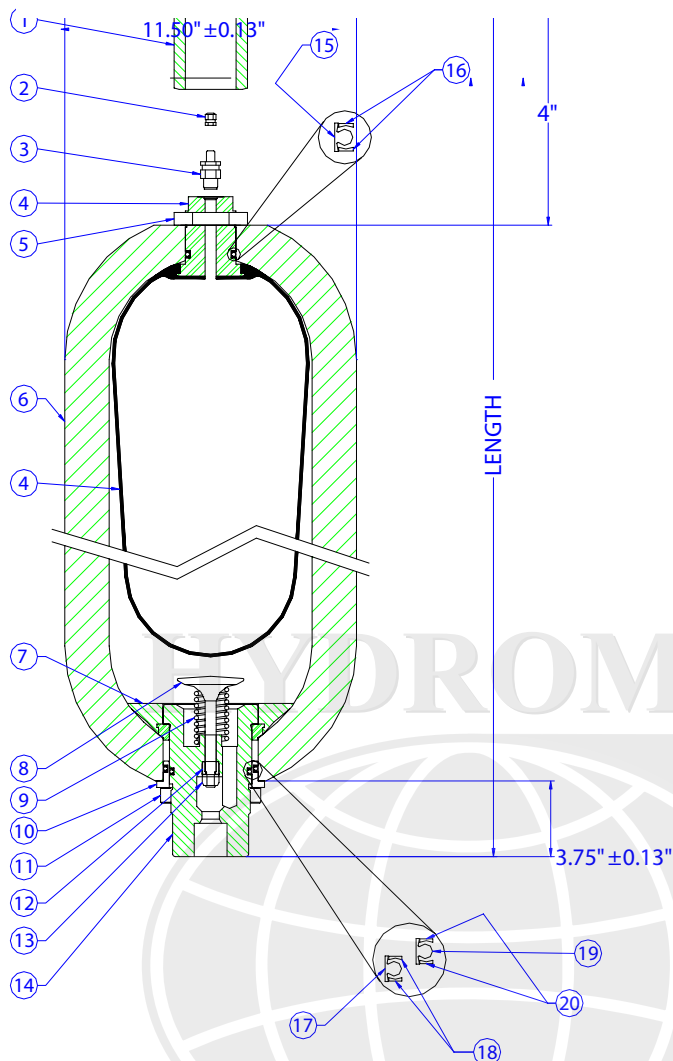
Dirección: Av. 6 de Diciembre N48-103 y
Manuel de Lizarzaburu
Telef: (02)2409322 - (02)2411921 0983729761
ventas_quito@hydromecanica.com

SUCURSAL NORTE:

Dirección: Km.3 Av. Juan Tanca Marengo,
Frente a Caterpillar, a lado de las antenas de TV Cable.
Telef: 2381994 - 2315850 0997689047
hydecua_gye@hydromecanica.com



BLADDER | PISTON | DIAPHRAGM



2.5-15 galones 10000 psi inferior Acumuladores Reparable

List of Component Parts		
	Description	Part Number
1	Protective Cap	AI-GT5-306-SS
2	Valve Cap	AI-S-303
3	High Pressure Gas Valve	AI-S10-309
4	Bladder Kit ¹	
	Buna-Nitrile	AI-X-10-3KT-SS
	Butyl	AI-X-10-3KT-B-SS
	EPR	AI-X-10-3KT-E-SS
	Fluorocarbon	AI-X-10-3KT-V-SS
	Low Temp Buna	AI-X-10-3KT-L-SS
	Extra Low Temp Buna	AI-X-10-3KT-X-SS
5	Hex Jam Nut	AI-GT5-305-SS
6	Shell (10000 psi)	Not for Sale
7	Anti-Extrusion Ring	
	Buna-Nitrile	AI-S10-407-SS
	EPDM	AI-S10-407-SS-E
	Fluorocarbon	AI-S10-407-SS-V
8	Poppet	AI-S-404-SS
9	Spring	AI-S6-409-SS
10	Spacer	AI-S10-406-SS
11	Locknut	AI-S10-403-SS
12	Piston	AI-S10-405-SS
13	Stop Nut	AI-S10-408-SS
14	Fluid Port ²	AI-S10-402-SS
15	Gas Valve T-Seal	AI-GT5-310
16	Gas Valve Backup O-Ring, Qty 2	AI-GT5-311
17	Fluid Port T-Seal	AI-GT5-410-B
18	Fluid Port Backup O-Ring, Qty 2	AI-GT5-411-B
19	Spacer T-Seal	AI-GT5-410-A
20	Spacer Backup O-Ring, Qty 2	AI-GT5-411-A

Standard Configuration

SA 372 Chrome-moly Steel Shell
2 Piece High Pressure Replaceable Gas Valve
Stainless Steel Components
1" Medium Pressure Female Fluid Port
Buna-Nitrile Rubber Components
Resin Coating – ID, 3 Part Marine Epoxy Paint – OD (XS)

Optional Configuration (at extra cost)

Foreign and Domestic Codes
Call Factory for Other Options

Dimensions ³		
Part Number	Length	Weight
A 2.510100	25"	
A 510100	37"	
A 1010100	58"	
A 1510100	81"	

Fluid Port Options	
Fluid Port Type	Designation
1" Medium Pressure Female	None
Other	Call
Special Materials	Call

¹ Insert the size of the accumulator for X, i.e. AI-2.5-10-3KT-SS for a 2.5 gallon bladder kit. Bladder kit consists of the following parts: 2,3,4,15,16,17,18,19,20

² See Oil Port Configuration for options

³ Nominal dimensions. Manufacturing variations will occur. Allow $\pm 1/2$ ".

MATRIZ:

Dirección: Clemente Ballén 1707 y Av. del Ejercito.
Telef: 2323939 - 2531923 - 2522228
0999586009
ventas2@hydromecanica.com

QUITO:

Dirección: Av. 6 de Diciembre N48-103 y
Manuel de Lizarzaburu
Telef: (02)2409322 - (02)2411921 0983729761
ventas_quito@hydromecanica.com

SUCURSAL NORTE:

Dirección: Km.3 Av. Juan Tanca Marengo,
Frente a Caterpillar, a lado de las antenas de TV Cable.
Telef: 2381994 - 2315850 0997689047
hydecua_gye@hydromecanica.com