



ACUMULADORES DE PRESIÓN REPARABLES

3000 PSI



BLADDER | PISTON | DIAPHRAGM

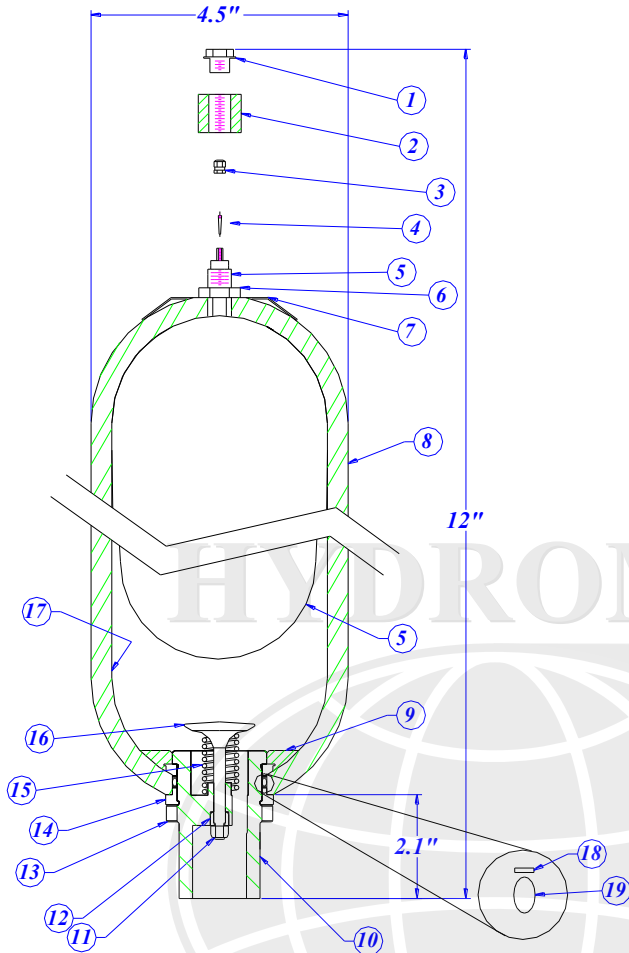
CODIGOS STANDARD DE ACUMULADORES	
MEDIDAS	CODIGO
1/4 de galón	A1QT3100
1 Galón	A13100
2,5 Galones	A2,53100
5 Galones	A53100
10 Galones	A103100
11 Galones	A113100
15 Galones	A153100





BLADDER | PISTON | DIAPHRAGM

1/4 de 3000 psi inferior reparable Acumuladores



Description	Part Number (OS)	Alternate Service ¹		
		WS	SS	XS
1 Safety Cap	AI-1QT-308		N/A ²	N/A ²
1 Safety Cap O-Ring	AI-1QT-309		N/A ²	N/A ²
2 Protective Cap	AI-1QT-306	-SS	-4-SS	-4-SS
3 Valve Cap	AI-1QT-303			
4 Valve Core	AI-S-304			
5 Bladder Kit ³				
Buna-Nitrile	AI-1QT-3KT		-SS	-SS
Butyl	AI-1QT-3KT-B		-SS	-SS
EPR	AI-1QT-3KT-E		-SS	-SS
Fluorocarbon	AI-1QT-3KT-V		-SS	-SS
Hydrin	AI-1QT-3KT-H		-SS	-SS
Low Temp Buna	AI-1QT-3KT-L		-SS	-SS
6 Hex Jam Nut	AI-1QT-305	-SS	-SS	-SS
7 Name Plate	AI-1QT-413			
8 Caution Label	AI-1QT-414			
8 Information Label	AI-1QT-421			
9 Anti-Extrusion Ring				
Buna-Nitrile	AI-1QT-407	-WS	-WS	-WS
EPDM	AI-1QT-407-E	-WS	-WS	-WS
Fluorocarbon	AI-1QT-407-V	-WS	-WS	-WS
10 Fluid Port ⁴	AI-1QT-402	-WS	-SS	-SS
11 Stop Nut	AI-1QT-408	-SS	-SS	-SS
12 Piston	AI-1QT-405	-SS	-SS	-SS
13 Locknut	AI-1QT-403	-WS	-SS	-SS
14 Spacer	AI-1QT-406	-WS	-SS	-SS
15 Spring	AI-1QT-409-SS			
16 Poppet	AI-1QT-404	-SS	-SS	-SS
17 Shell (3000 psi)	Not for Sale	N/A	N/A	N/A
18 Metal Back-Up Ring	AI-1QT-412	-SS	-SS	-SS
19 O-Ring				
Buna-Nitrile	AI-1QT-410			
Butyl	AI-1QT-410-B			
EPR	AI-1QT-410-E			
Fluorocarbon	AI-1QT-410-V			

Standard Configuration

SA 372 Chrome-moly Steel Shell
C-1018 and 4130 or 4140 Components
³/₄" NPT Female Fluid Port
Buna-Nitrile Rubber Components

Optional Configuration (at extra cost)

AN Gas Valve
Resin Coatings, Internal (WS)
Electroless Nickel Plating, Internal & External (SS)
Resin Coating - ID, 3 Part Marine Epoxy Paint - OD (XS)
Stainless Steel Components
Foreign and Domestic Codes
Call Factory for Other Options

Dimensions⁵

Part Number	Weight
AIQT3100	9.5 lbs

Fluid Port Options

Fluid Port Type	Designation
³ / ₄ " NPT Female	None
Metric Female	-2
1 ¹ / ₁₆ " -12 SAE Female	-3
Code 61, ³ / ₄ " SAE Split Flange	.4
BSPP Female	-7
Other	Call
Special Materials	Call

¹ OS-Oil Service, WS- Water Service, SS-Special Service, XS-Extreme Service
² Special service accumulator uses a solid protective cap
³ Bladder kit consists of the following parts: 3, 4, 5, 18, and 19
⁴ See Oil Port Configuration for options
⁵ Nominal dimensions. Manufacturing variations will occur. Allow ¹/₂".

MATRIZ:

Dirección: Clemente Ballén 1707 y Av. del Ejercito.
Telef: 2323939 - 2531923 - 2522228
0999586009
ventas2@hydromecanica.com

QUITO:

Dirección: Av. 6 de Diciembre N48-103 y
Manuel de Lizarzaburu
Telef: (02)2409322 - (02)2411921 0983729761
ventas_quito@hydromecanica.com

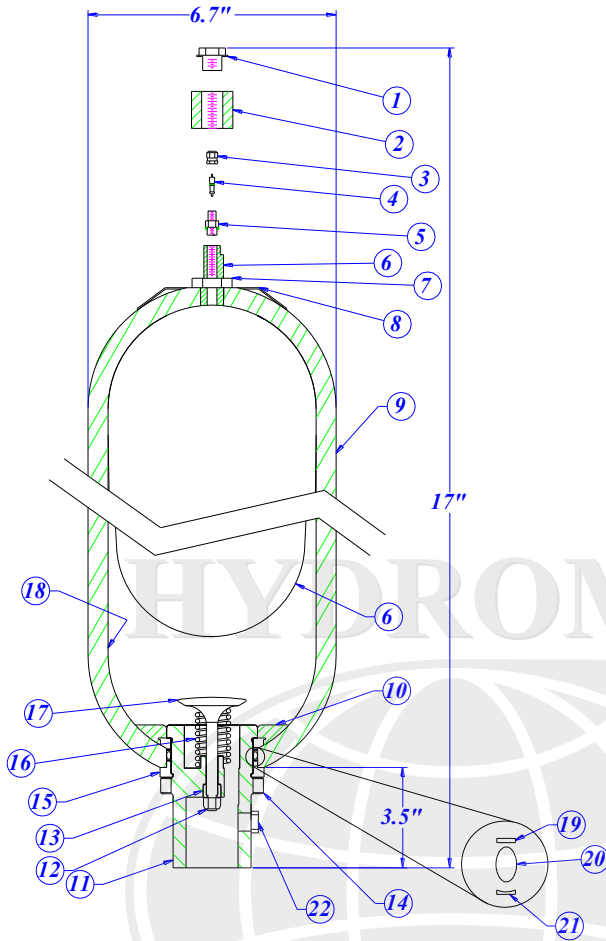
SUCURSAL NORTE:

Dirección: Km.3 Av. Juan Tanca Marengo,
Frente a Caterpillar, a lado de las antenas de TV Cable.
Telef: 2381994 - 2315850 0997689047
hydecua_gye@hydromecanica.com



BLADDER | PISTON | DIAPHRAGM

1 Galón de 3000 PSI inferior reparable Acumuladores



List of Component Parts		Alternate Service ¹		
Description	Part Number (OS)	WS	SS	XS
1 Safety Cap	AI-S-308		N/A ²	N/A ²
1 Safety Cap O-Ring	AI-S-309		N/A ²	N/A ²
2 Protective Cap	AI-306	-SS	-4-SS	-4-SS
3 Valve Cap	AI-S-303			
4 Valve Core	AI-S-304			
5 GT Gas Valve	AI-GT3-309			
5 Gas Valve O-Ring	AI-GT3-311			
6 Bladder Kit ³				
Buna-Nitrile	AI-1-3KT		-SS	-SS
Butyl	AI-1-3KT-B		-SS	-SS
EPR	AI-1-3KT-E		-SS	-SS
Fluorocarbon	AI-1-3KT-V		-SS	-SS
Hydrin	AI-1-3KT-H		-SS	-SS
Low Temp Buna	AI-1-3KT-L		-SS	-SS
7 Hex Jam Nut	AI-S-305	-SS	-SS	-SS
8 Name Plate	AI-S-413			
9 Caution Label	AI-S-421			
10 Anti-Extrusion Ring				
Buna-Nitrile	AI-1-407	-WS	-WS	-WS
EPDM	AI-1-407-E	-WS	-WS	-WS
Fluorocarbon	AI-1-407-V	-WS	-WS	-WS
11 Fluid Port ⁴	AI-1-402	-WS	-SS	-SS
12 Stop Nut	AI-1-408	-SS	-SS	-SS
13 Piston	AI-1-405	-SS	-SS	-SS
14 Locknut	AI-1-403	-WS	-SS	-SS
15 Spacer	AI-1-406	-WS	-SS	-SS
16 Spring	AI-1-409-SS			
17 Poppet	AI-1-404	-SS	-SS	-SS
18 Shell	Not for Sale	N/A	N/A	N/A
19 Metal Back-Up Ring	AI-1-412	-SS	-SS	-SS
20 O-Ring				
Buna-Nitrile	AI-1-410			
EPDM	AI-1-410-E			
Fluorocarbon	AI-1-410-V			
21 Rubber Back-Up Ring	AI-1-411			
22 Bleed Plug				
1/4" NPT	AI-S-418	-SS	-SS	-SS
7/16"-20 SAE	AI-S-419	-SS	-SS	-SS

Standard Configuration

SA 372 Chrome-moly Steel Shell
C-1018 and 4130 or 4140 Components
1 1/4" NPT Female Fluid Port
Buna-Nitrile Rubber Components

Dimensions⁵

Part Number	Weight
A13100	32 lbs

Optional Configuration (at extra cost)

AN Gas Valve
Resin Coatings, Internal (WS)
Electroless Nickel Plating, Internal & External (SS)
Resin Coating – ID, 3 Part Marine Epoxy Paint – OD (XS)
Stainless Steel Components
Foreign and Domestic Codes
Call Factory for Other Options

Fluid Port Options

Fluid Port Type	Designation
1 1/4" NPT Female	None
Metric Female	-2
1 3/8"-12 SAE Female	-3
Code 61, 1 1/2" SAE Split Flange	-4
BSPP Female	-7
Other	Call
Special Materials	Call

¹ OS-Oil Service, WS- Water Service, SS-Special Service, XS-Extreme Service

² Special service accumulator uses a solid protective cap

³ Bladder kit consists of the following parts: 3, 4, 5, 6, 19, 20, and 21

⁴ See Oil Port Configuration for options

⁵ Nominal dimensions. Manufacturing variations will occur. Allow 7/2".

MATRIZ:

Dirección: Clemente Ballén 1707 y Av. del Ejercito.
Telef: 2323939 - 2531923 - 2522228
0999586009
ventas2@hydromecanica.com

QUITO:

Dirección: Av. 6 de Diciembre N48-103 y
Manuel de Lizarzaburu
Telef: (02)2409322 - (02)2411921 0983729761
ventas_quito@hydromecanica.com

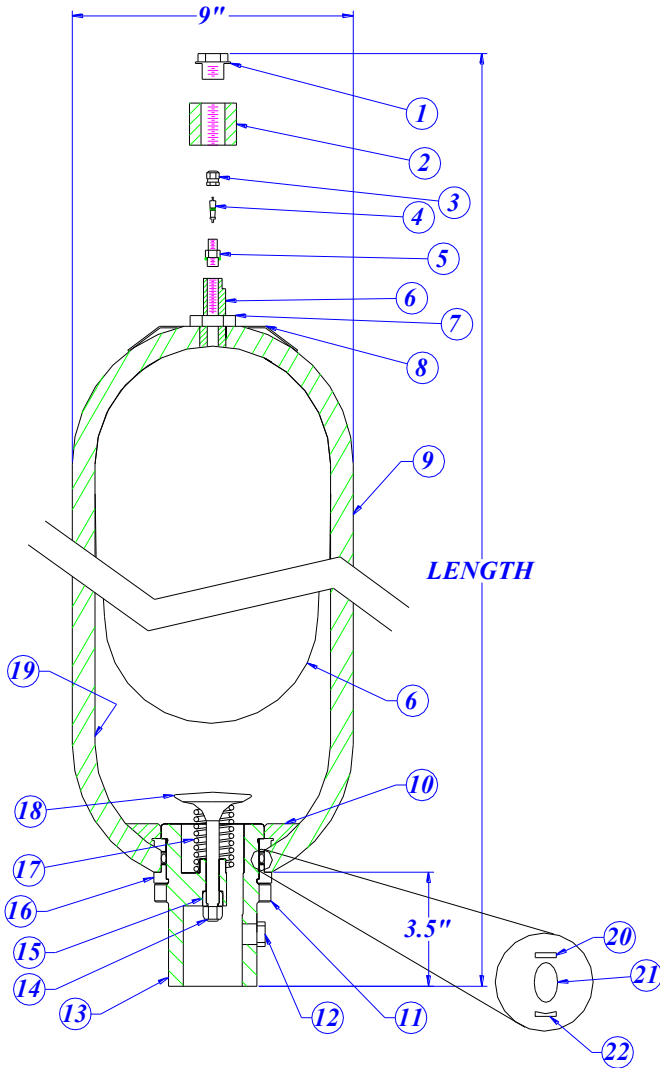
SUCURSAL NORTE:

Dirección: Km.3 Av. Juan Tanca Marengo,
Frente a Caterpillar, a lado de las antenas de TV Cable.
Telef: 2381994 - 2315850 0997689047
hydecua_gye@hydromecanica.com



BLADDER | PISTON | DIAPHRAGM

2.5-15 de 3000 PSI inferior reparable Acumuladores



Description	Part Number (OS)	Alternate Service ¹		
		WS	SS	XS
1 Safety Cap	AI-S-308		N/A ²	N/A ²
1 Safety Cap O-Ring	AI-S-309		N/A ²	N/A ²
2 Protective Cap	AI-306	-SS	-4-SS	-4-SS
3 Valve Cap	AI-S-303			
4 Valve Core	AI-S-304			
5 GT Gas Valve	AI-GT3-309			
5 Gas Valve O-Ring	AI-GT3-311			
6 Bladder Kit ³				
Buna-Nitrile	AI-X-3KT		-SS	-SS
Butyl	AI-X-3KT-B		-SS	-SS
EPR	AI-X-3KT-E		-SS	-SS
Fluorocarbon	AI-X-3KT-V		-SS	-SS
Hydrin	AI-X-3KT-H		-SS	-SS
Low Temp Buna	AI-X-3KT-L		-SS	-SS
7 Hex Jam Nut	AI-S-305	-SS	-SS	-SS
8 Name Plate	AI-S-413			
9 Caution Label	AI-S-421			
10 Anti-Extrusion Ring				
Buna-Nitrile	AI-S-407	-WS	-WS	-WS
EPDM	AI-S-407-E	-WS	-WS	-WS
Fluorocarbon	AI-S-407-V	-WS	-WS	-WS
11 Locknut	AI-S-403	-WS	-SS	-SS
12 Bleed Plug				
1/4" NPT	AI-S-418	-SS	-SS	-SS
7/16"-20 SAE	AI-S-419	-SS	-SS	-SS
13 Fluid Port ⁴	AI-S3-402	-WS	-SS	-SS
14 Stop Nut	AI-S-408	-SS	-SS	-SS
15 Piston	AI-S-405	-SS	-SS	-SS
16 Spacer	AI-S3-406	-WS	-SS	-SS
17 Spring	AI-S3-409	-SS	-SS	-SS
18 Poppet	AI-S-404	-SS	-SS	-SS
19 Shell (3000 psi)	Not for Sale	N/A	N/A	N/A
20 Metal Back-Up Ring	AI-S-412	-SS	-SS	-SS
21 O-Ring				
Buna-Nitrile	AI-S-410			
EPDM	AI-S-410-E			
Fluorocarbon	AI-S-410-V			
22 Rubber Back-Up Ring	AI-S-411			

Standard Configuration

- SA 372 Chrome-moly Steel Shell
- 2 Piece Replaceable Gas Valve
- C-1018 and 4130 or 4140 Components
- 2" NPT Female Fluid Port
- Buna-Nitrile Rubber Components

Optional Configuration (at extra cost)

- AN Gas Valve
- Resin Coatings, Internal (WS)
- Electroless Nickel Plating, Internal & External (SS)
- Resin Coating - ID, 3 Part Marine Epoxy Paint - OD (XS)
- Stainless Steel Components
- Foreign and Domestic Codes
- Call Factory for Other Options

Dimensions⁵

Part Number	Length	Weight
A2.53100	21"	76 lbs
A53100	33"	116 lbs
A103100	54"	212 lbs
A113100	60"	230 lbs
A153100	78"	296 lbs

Fluid Port Options

Fluid Port Type	Designation
2" NPT Female	None
1 1/4" NPT Female	-1
Metric Female	-2
1 7/8" -12 SAE Female	-3
Code 61, 2" SAE Split Flange	-4
Other	Call
Special Materials	Call

1 OS-Oil Service, WS- Water Service, SS-Special Service, XS-Extreme Service

2 Special service accumulator uses a solid protective cap

3 Insert the size of the accumulator for X, i.e. AI-2.5-3KT for a 2.5-gallon bladder kit. Bladder kit consists of the following parts: 3, 4, 5, 6, 20, 21, and 22

4 See Oil Port Configuration for options

5 Nominal dimensions. Manufacturing variations will occur. Allow +/- .2".

MATRIZ:

Dirección: Clemente Ballén 1707 y Av. del Ejercito.
 Telef: 2323939 - 2531923 - 2522228
 0999586009
 ventas2@hydromecanica.com

QUITO:

Dirección: Av. 6 de Diciembre N48-103 y
 Manuel de Lizarzaburu
 Telef: (02)2409322 - (02)2411921 0983729761
 ventas_quito@hydromecanica.com

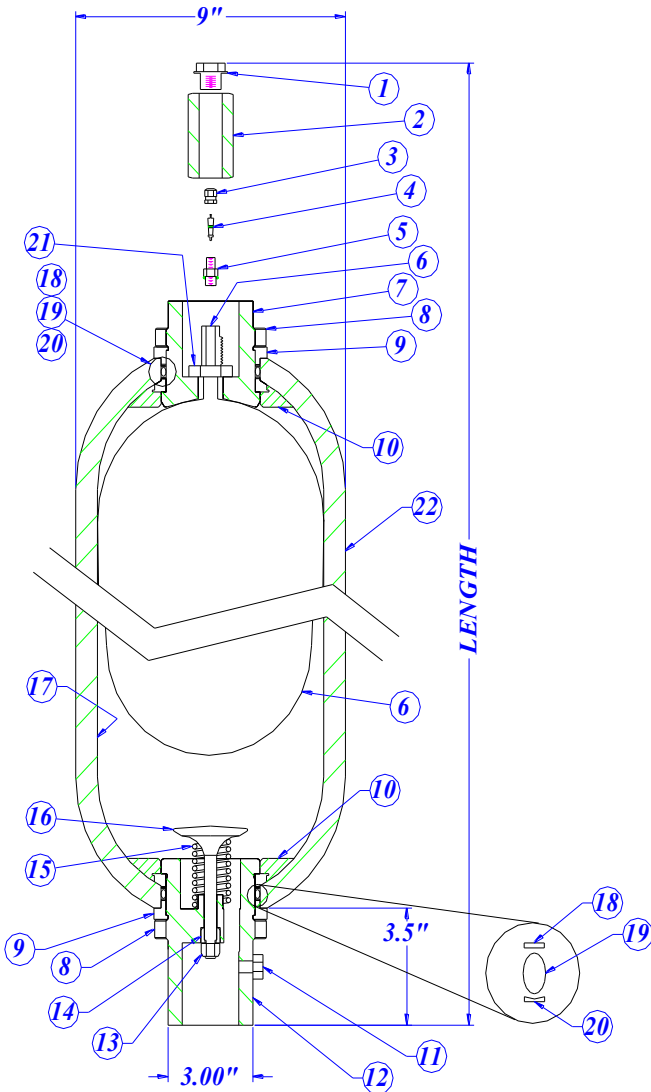
SUCURSAL NORTE:

Dirección: Km.3 Av. Juan Tanca Marengo,
 Frente a Caterpillar, a lado de las antenas de TV Cable.
 Telef: 2381994 - 2315850 0997689047
 hydecua_gye@hydromecanica.com



BLADDER | PISTON | DIAPHRAGM

2.5-15 Gallon 3000 psi Top Repairable Accumulators



List of Component Parts		Alternate Service ¹		
Description	Part Number (OS)	WS	SS	XS
1 Safety Cap	AI-S-308		N/A ²	N/A ²
1 Safety Cap O-Ring	AI-S-309		N/A ²	N/A ²
2 Protective Cap	AI-306	-SS	-4-SS	-4-SS
3 Valve Cap	AI-S-303			
4 Valve Core	AI-S-304			
5 GT Gas Valve	AI-GT3-309			
5 Gas Valve O-Ring	AI-GT3-311			
6 Bladder Kit ³				
Buna Nitrile	AI-X-3KT		-SS	-SS
Butyl	AI-X-3KT-B		-SS	-SS
EPR	AI-X-3KT-E		-SS	-SS
Fluorocarbon	AI-X-3KT-V		-SS	-SS
Hydrin	AI-X-3KT-H		-SS	-SS
Low Temp Buna	AI-X-3KT-L		-SS	-SS
7 Top Load Adapter	AI-TR3-208	-WS	-SS	-SS
8 Locknut, Qty 2	AI-S-403	-WS	-SS	-SS
9 Spacer, Qty 2	AI-S3-406	-WS	-SS	-SS
10 Anti-Extrusion Ring, Qty 2				
Buna-Nitrile	AI-S-407	-WS	-WS	-WS
EPDM	AI-S-407-E	-WS	-WS	-WS
Fluorocarbon	AI-S-407-V	-WS	-WS	-WS
11 Bleed Plug				
^{1/4} " NPT	AI-S-418	-SS	-SS	-SS
^{7/16} "-20 SAE	AI-S-419	-SS	-SS	-SS
12 Fluid Port ⁴	AI-S3-402	-WS	-SS	-SS
13 Stop Nut	AI-S-408	-SS	-SS	-SS
14 Piston	AI-S-405	-SS	-SS	-SS
15 Spring	AI-S-409	-SS	-SS	-SS
16 Poppet	AI-S-404	-SS	-SS	-SS
17 Shell (3000 psi)	Not for Sale	N/A	N/A	N/A
18 Metal Back-Up Ring, QTY 2	AI-S-412	-SS	-SS	-SS
19 O-Ring, Qty 2				
Buna-Nitrile	AI-S-410			
Butyl	AI-S-410-B			
EPR	AI-S-410-E			
Fluorocarbon	AI-S-410-V			
20 Rubber Back-Up Ring, Qty 2	AI-S-411			
21 Hex Jam Nut	AI-S-305	-SS	-SS	-SS
22 Caution Label	AI-S-421			

Standard Configuration

SA 372 Chrome-moly Steel Shell
2 Piece Replaceable Gas Valve
C-1018 and 4130 or 4140 Components
2" NPT Female Fluid Port
Buna-Nitrile Rubber Components

Optional Configuration (at extra cost)

AN Gas Valve
Resin Coatings, Internal (WS)
Electroless Nickel Plating, Internal & External (SS)
Resin Coating - ID, 3 Part Marine Epoxy Paint - OD (XS)
Stainless Steel Components
Foreign and Domestic Codes
Call Factory for Other Options

Dimensions ⁵		
Part Number	Length	Weight
A2.5TR3100	21"	78 lbs
A5TR3100	33"	118 lbs
A10TR3100	54"	214 lbs
A11TR3100	60"	232 lbs
A15TR3100	78"	298 lbs

Fluid Port Options	
Fluid Port Type	Designation
2" NPT Female	None
1 1/4" NPT Female	-1
Metric Female	-2
1 7/8" -12 SAE Female	-3
Code 61, 2" SAE Split Flange	-4
Other	Call
Special Materials	Call

1 OS-Oil Service, WS- Water Service, SS-Special Service, XS-Extreme Service

2 Special service accumulator uses a solid protective cap

3 Insert the size of the accumulator for X, i.e. AI-2.5-3KT for a 2.5 gallon bladder kit. Bladder kit consists of the following parts: 3, 4, 5, 6, 18, 19, and 20

4 See Oil Port Configuration for options

5 Nominal dimensions. Manufacturing variations will occur. Allow +/- .2".

MATRIZ:

Dirección: Clemente Ballén 1707 y Av. del Ejercito.
Telef: 2323939 - 2531923 - 2522228
0999586009
ventas2@hydromecanica.com

QUITO:

Dirección: Av. 6 de Diciembre N48-103 y
Manuel de Lizarzaburu
Telef: (02)2409322 - (02)2411921 0983729761
ventas_quito@hydromecanica.com

SUCURSAL NORTE:

Dirección: Km.3 Av. Juan Tanca Marengo,
Frente a Caterpillar, a lado de las antenas de TV Cable.
Telef: 2381994 - 2315850 0997689047
hydecua_gye@hydromecanica.com