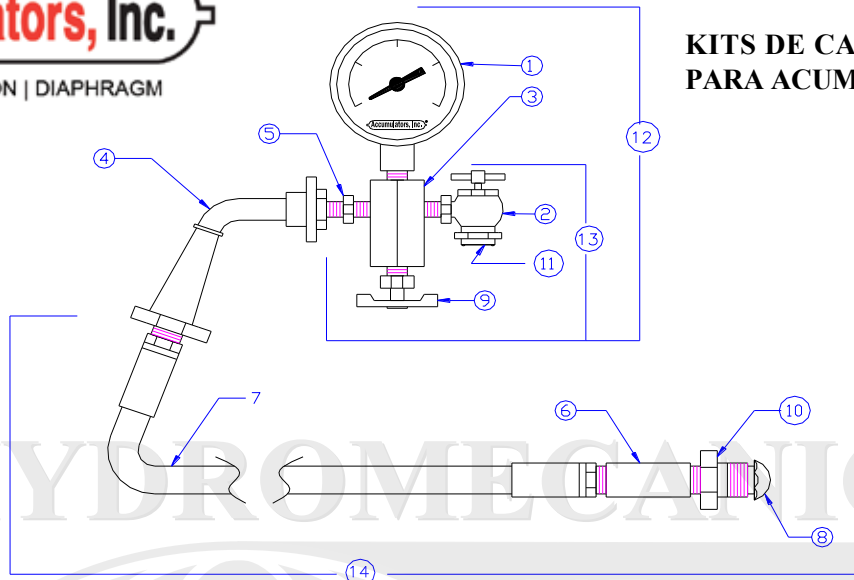




### KITS DE CARGA Y CALIBRACIÓN PARA ACUMULADORES DE 3000 PSI



AI-CG3-3KIT-SS



AI-CG3-6KIT-SS

**Sold only in Kit Form: See Page 34 for Kit Components**

List of Component Parts		
	Description	Part Number
1	3000 psi Gauge	AI-CG3-001
	6000 psi Gauge	AI-CG6-001-SS
2	Air Chuck	AI-CG-002
3	Adapter Block	AI-CG-003
4	Swivel Connector	AI-CG-004
5	Tank Valve	AI-CG-005
6	Coupler	AI-CG-006
7	Hose	AI-CG-007-SS
8	Gland (Nipple)	AI-CG-008
9	Bleed Valve	AI-CG-009
10	Nut	AI-CG-011
11	Copper Washer	AI-CG-020
12	Gauging & Head Assembly, 3000 psi Gauge	AI-CG3-013
	Gauging & Head Assembly, 6000 psi Gauge	AI-CG6-013
13	Head Assembly, 3000 psi Gauge	AI-CG3-014
	Head Assembly, 6000 psi Gauge	AI-CG6-014
14	Hose Assembly	AI-CG-017-SS
	Valve Core (internal)	AI-S-304

Kit with 3000 psi Gauge	AI-CG3-3KIT-SS
Kit with 6000 psi Gauge	AI-CG3-6KIT-SS

See Page 37 for Kit Components

**Charging and Gauging Kits consist of a Hose Assembly, Gauging & Head Assembly, TR adapter, (AI-TR-015) and case (AI-519).**

**Also Available:**

Complete Accumulator Repair Kits;  
N2 Gas Regulators;

Special Order C&G Kits with different connections and Different hose lengths.

**WARNING! AI-CG3-3KIT-SS and AI-CG3-6KIT-SS Kits are rated for a MAWP Accumulator of 3000 psi. The 6000 psig Gauge is for indication only. Do not use either one on a higher pressure accumulator.**

**MATRIZ:**

Dirección: Clemente Ballén 1707 y Av. del Ejercito.  
Telef: 2323939 - 2531923 - 2522228  
0999586009  
ventas2@hydromecanica.com

**QUITO:**

Dirección: Av. 6 de Diciembre N48-103 y  
Manuel de Lizarzaburu  
Telef: (02)2409322 - (02)2411921 0983729761  
ventas\_quito@hydromecanica.com

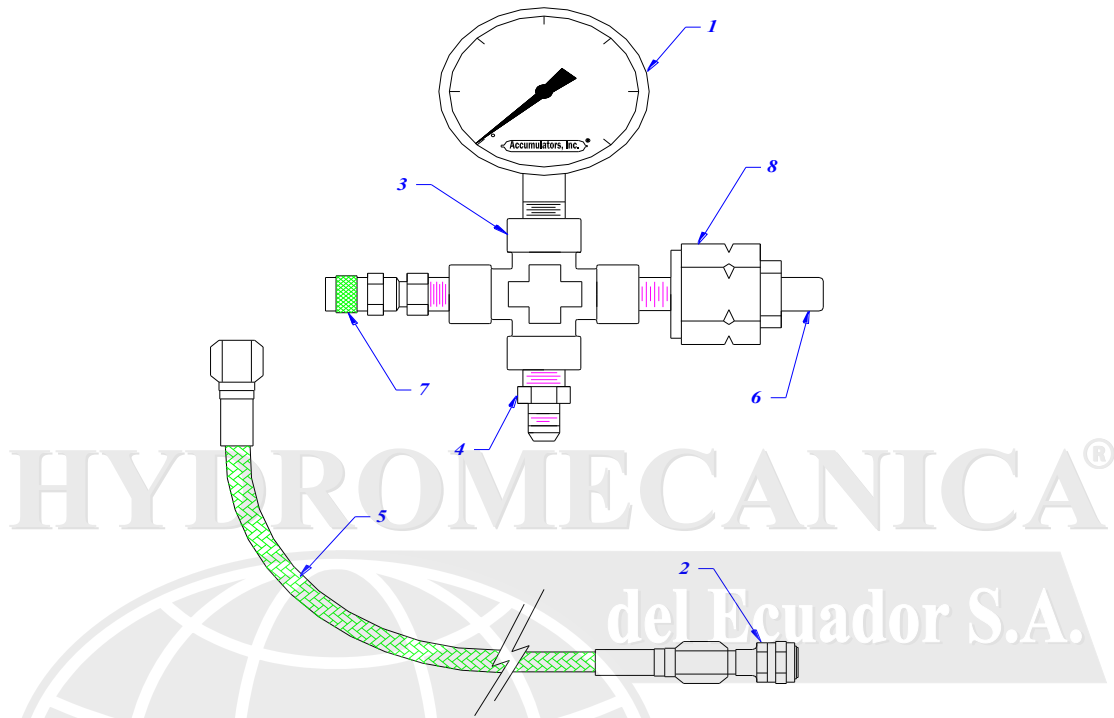
**SUCURSAL NORTE:**

Dirección: Km.3 Av. Juan Tanca Marengo,  
Frente a Caterpillar, a lado de las antenas de TV Cable.  
Telef: 2381994 - 2315850 0997689047  
hydecua\_gye@hydromecanica.com



BLADDER | PISTON | DIAPHRAGM

**KIT DE CARGA Y MEDICIÓN PARA ACUMULADORES DE 3000 PSI A 6000 PSI**



**AI-CG6-6KIT-SS**

**Also Sold in Kit Form: See Page 34 for Kit Components**

**Full Assembly**

List of Component Parts		
	Description	Part Number
	Complete Kit	AI-CG6-6KIT-SS
1	Gauge, 6000 psi	AI-CG6-501-SS
2	Air Chuck	AI-CG6-502-SS
3	Cross, SS	AI-CG6-503-SS
4	J.I.C. Adapter	AI-CG6-506-SS
5	Hose, 8 ft.	AI-CG6-507-SS
6	Cylinder Valve Tube	AI-CG6-508-SS
7	Bleed Valve	AI-CG6-509-SS
8	Cylinder Valve Nut	AI-CG6-511-SS

**Hose Assembly**

List of Component Parts		
	Description	Part Number
	Head Assembly	AI-CG6-517-SS
4	J.I.C. Adapter	AI-CG6-506-SS
5	Hose, 8 ft.	AI-CG6-507-SS
7	Air Chuck	AI-CG6-502-SS

All materials stainless steel.

**Gauging & Head Assembly**

List of Component Parts		
	Description	Part Number
	Gauging & Head Ass'y	AI-CG6-513-SS
1	Gauge, 6000 psi	AI-CG6-501-SS
3	Cross, SS	AI-CG6-503-SS
4	J.I.C. Adapter	AI-CG6-506-SS
6	Cylinder Valve Tube	AI-CG6-508-SS
7	Bleed Valve	AI-CG6-509-SS
8	Cylinder Valve Nut	AI-CG6-511-SS

**Also Available:** \*Complete Accumulator Repair Kits; \*N2 Gas Regulators; \*Special Order C&G Kits with different connections and Different hose lengths

**MATRIZ:**

Dirección: Clemente Ballén 1707 y Av. del Ejercito.  
 Telef: 2323939 - 2531923 - 2522228  
 0999586009  
 ventas2@hydromecanica.com

**QUITO:**

Dirección: Av. 6 de Diciembre N48-103 y Manuel de Lizarzaburu  
 Telef: (02)2409322 - (02)2411921 0983729761  
 ventas\_quito@hydromecanica.com

**SUCURSAL NORTE:**

Dirección: Km.3 Av. Juan Tanca Marengo, Frente a Caterpillar, a lado de las antenas de TV Cable.  
 Telef: 2381994 - 2315850 0997689047  
 hydecua\_gye@hydromecanica.com



BLADDER | PISTON | DIAPHRAGM

## KITS DE ACCESORIOS DEL ACUMULADOR PARA CARGA Y MEDICIÓN, MANTENIMIENTO, REPARACIÓN

### AI-TKIT. with 3000 psi gauge.

Everything you need to precharge, maintain and repair any 3000 psi accumulator. Includes spare parts



Part No.	Description	Qty.
AI-TR-015	Gas Valve Extension	1
AI-501	Bladder Pull Rod	4
AI-505	Spanner Wrench	1
AI-506	Valve Core Tool 4-way	1
AI-516	Aluminum Tool Case	1
AI-CG-002	Air Chuck	1
AI-GT3-309-KIT	Gas Valve Std SS	1
AI-S-304	Valve Core	5
AI-CG3-000-SS	C&G Assembly 3k psi	1
AI-CG-421	C&G Kit Info Label	1

### AI-TKIT-6. with 6000 psi gauge

Everything you need to precharge, maintain and repair any 6000 psi accumulator.



Part No.	Description	Qty.
AI-501	Bladder Pull Rod	4
AI-505	Spanner Wrench	1
AI-516	Aluminum Tool Case	1
AI-S6-309	High Pressure Gas Valve 6k psi	1
AI-CG6-550-SS	C&G Assembly 6k psi	1
AI-CG-421	C&G Kit Info Label	1

### AI-TKIT1, 3000 psi & 6000 psi

Everything you need to precharge, maintain and repair any 3000 psi or 6000 psi accumulator



Part No.	Description	Qty.
AI-TR-015	Gas Valve Extension	1
AI-501	Bladder Pull Rod	4
AI-505	Spanner Wrench	2
AI-506	Valve Core Tool 4-way	1
AI-516	Aluminum Tool Case	1
AI-CG-002	Air Chuck	1
AI-GT3-309-KIT	Gas Valve GT Std SS	2
AI-S-304	Valve Core	5
AI-GT3-311	GT Gas Valve O-ring	5
AI-CG3-000-SS	C&G Assembly 3k psi	1
AI-S6-309	High Pressure Gas Valve 6k	1
AI-CG6-550-SS	C&G Assembly 6k psi	1
AI-511	Accumulator Lifting Hook Assembly	1
AI-515	Gas Valve Tool TR	2
AI-CG-421	C&G Kit Info Label	1

#### MATRIZ:

Dirección: Clemente Ballén 1707 y Av. del Ejercito.  
 Telef: 2323939 - 2531923 - 2522228  
 0999586009  
 ventas2@hydromecanica.com

#### QUITO:

Dirección: Av. 6 de Diciembre N48-103 y  
 Manuel de Lizarzaburu  
 Telef: (02)2409322 - (02)2411921 0983729761  
 ventas\_quito@hydromecanica.com

#### SUCURSAL NORTE:

Dirección: Km.3 Av. Juan Tanca Marengo,  
 Frente a Caterpillar, a lado de las antenas de TV Cable.  
 Telef: 2381994 - 2315850 0997689047  
 hydecua\_gye@hydromecanica.com



BLADDER | PISTON | DIAPHRAGM

### AI-TKITB.ECONOMÍA MANTENIMIENTO 3000 PSII KIIT CON 3000 PSI DE CALIBRE

Everything you need to precharge, maintain and repair any 3000 psi accumulator



Part No.	Description	Qty.
AI-TR-015	Gas Valve Extension	1
AI-501	Bladder Pull Rod	4
AI-505	Spanner Wrench	1
AI-506	Valve Core Tool 4-way	1
AI-519	19" Tool Case	1
AI-CG3-000-SS	C&G Assembly 3k psi	1
AI-CG-421	C&G Kit Info Label	1

### AI-CG3-3KT-SS. CARGA Y CALIBRACIÓN 3000 PSII KIT CON 3000 PSI DE CALIBRE

Everything you need to precharge any 3000 psi accumulator



Part No.	Description	Qty.
AI-TR-015	Gas Valve Extension	1
AI-517	C&G Case	1
AI-CG6-000-SS	C&G Assembly 3k psi with 6KSI Gauge	1
AI-CG-421	C&G Kit Info Label	1

### AI-CG3-6KT-SS. CARGA Y CALIBRACIÓN 3000 PSII KIT CON 6000 PSI DE CALIBRE

Everything you need to precharge any 3000 psi accumulator



Part No.	Description	Qty.
AI-TR-015	Gas Valve Extension	1
AI-517	C&G Case	1
AI-CG3-000-SS	C&G Assembly 3k psi	1
AI-CG-421	C&G Kit Info Label	1

### AI-CG6-6KT-SS. CARGA Y CALIBRACIÓN 6000 PSII KIT CON 6000 PSI DE CALIBRE

Everything you need to precharge any 6000 psi accumulator

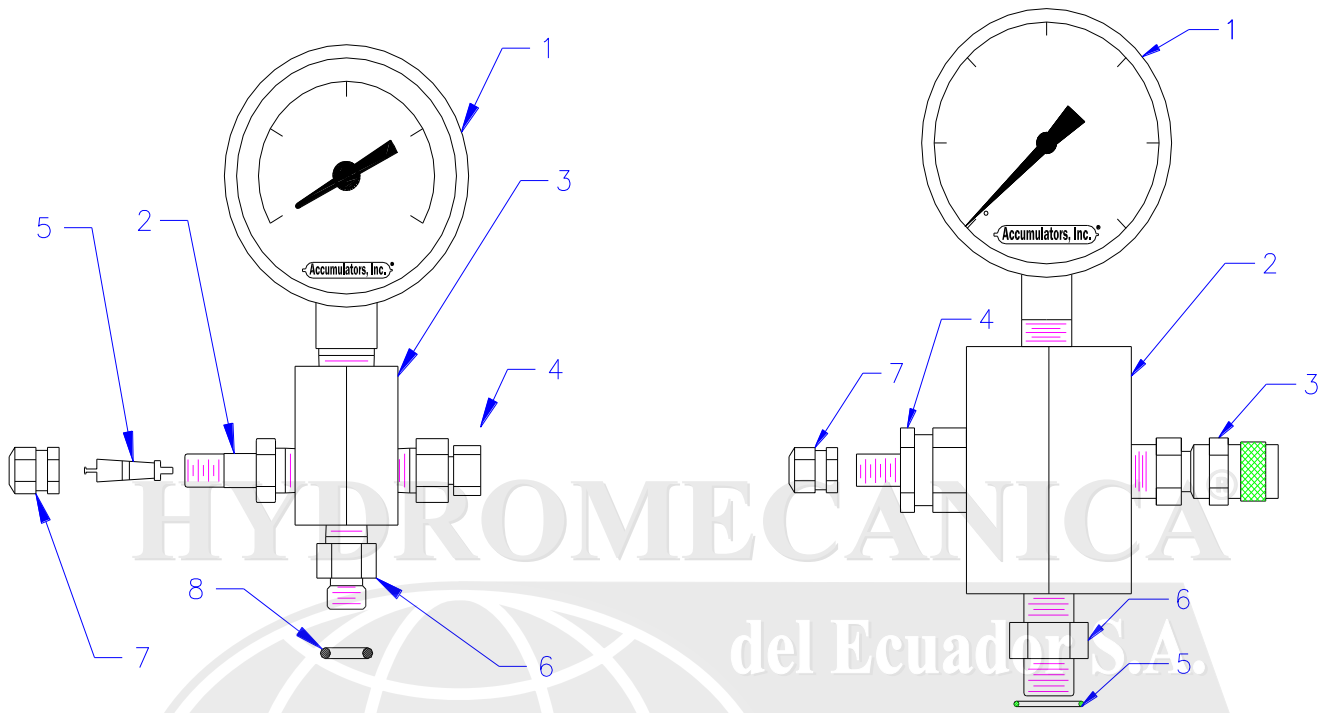


Part No.	Description	Qty.
AI-520	16" C&G Case	1
AI-CG6-550-SS	C&G Assembly 6k psi	1
AI-CG-421	C&G Kit Info Label	1



BLADDER | PISTON | DIAPHRAGM

MONITOR DE PRESIÓN DE MONTAJE PERMANENTE



**3000 psi Permanent Mount Pressure Monitor**  
AI-PM3-000

List of Component Parts		
	Description	Part Number
1	Gauge, 3000 psig Standard	AI-CG3-001
	Gauge, 3000 psig Liquid Filled	AI-CG3-001-L
	Gauge, 3000 psig Digital <b>NEW</b>	AI-CG3-001-D
2	Tank Valve	AI-CG-005
3	Pressure Monitor Block	AI-PM3-003
4	Bleed Valve	AI-PM3-009
5	Valve Core	AI-S-304
6	Pressure Monitor Bushing	AI-PM3-033
7	Valve Cap	AI-S-303
8	O-Ring	AI-GT3-311

**6000 psi Permanent Mount Pressure Monitor**  
AI-PM6-000-SS

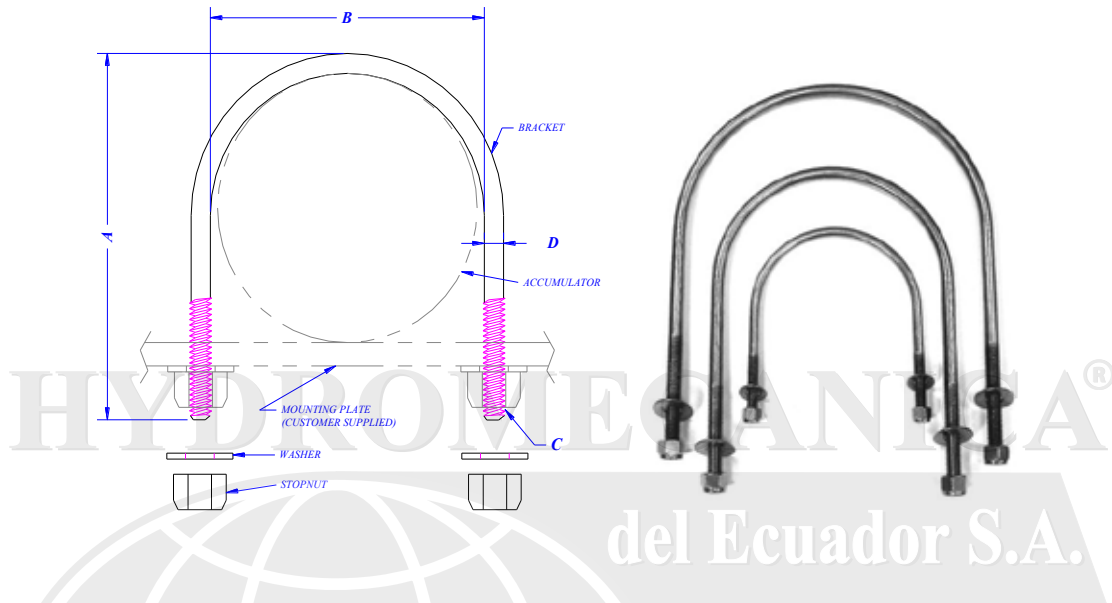
List of Component Parts		
	Description	Part Number
1	Gauge, 6000 psig Standard	AI-CG6-501-SS
	Gauge, 6000 psig Liquid Filled	AI-CG6-501-SS-L
	Gauge, 6000 psig Digital <b>NEW</b>	AI-CG6-501-D-SS
2	Cross, SS	AI-CG6-503-SS
3	Bleed Valve	AI-CG6-509-SS
4	High Pressure Gas Valve	AI-S6-309
5	O-Ring	AI-S6-310
6	Pressure Monitor Bushing	AI-PM6-033-SS
7	Valve Cap	AI-S-303

**Note:** These units are intended to be mounted permanently on the valve stem of the accumulator to monitor hydraulic system pressure. Nitrogen pre-charge may only be measured when hydraulic line pressure is zero (0) psig.



BLADDER | PISTON | DIAPHRAGM

## HARDWARE DE MONTAJE: KITS DE PERNO EN U



Description	Part Number Standard (Carbon Steel)	Part Number Rubber Coated <i>NEW</i>	Part Number Stainless Steel	Part Number Rubber Coated SS <i>NEW</i>	Part Number Teflon Coated	U-Bolts per Kit	A in.	B in.	C in.	D in.
1 Qt, 3000 & 5000	AI-1QT-507-KIT	AI-1QT-507-KIT-RUB	AI-1QT-507-KIT-SS	AI-1QT-507-KIT-SS-RUB	AI-1QT-507-KIT-T	1	6	4.5	2 x <sup>3</sup> / <sub>8</sub> -16 UN	0.3
1 Quart Washer	AI-1QT-509	AI-1QT-509	AI-1QT-509-SS	AI-1QT-509-SS	AI-1QT-509-T					
1 Quart Stop Nut	AI-1QT-508	AI-1QT-508	AI-1QT-508-SS	AI-1QT-508-SS	AI-1QT-508-T				3/ <sub>8</sub> -16 UN	
1 Gallon, 3000 psi	AI-1-507-KIT	AI-1-507-KIT-RUB	AI-1-507-KIT-SS	AI-1-507-KIT-SS-RUB	AI-1-507-KIT-T	1	10	6.8	3 x <sup>1</sup> / <sub>2</sub> -13 UN	0.5
2 1/2 Gallon, 3000 psi	AI-2.5-507-KIT	AI-2.5-507-KIT-RUB	AI-2.5-507-KIT-SS	AI-2.5-507-KIT-SS-RUB	AI-2.5-507-KIT-T	1	12.3	9.4	3.5 x <sup>1</sup> / <sub>2</sub> -13 UN	0.5
5-15 Gallon, 3000 psi	AI-507-KIT	AI-507-KIT-RUB	AI-507-KIT-SS	AI-507-KIT-SS-RUB	AI-507-KIT-T	2	12.3	9.4	3.5 x <sup>1</sup> / <sub>2</sub> -13 UN	0.5
1 Gallon, 6000 psi	AI-1-6-507-KIT	AI-1-6-507-KIT-RUB	AI-1-6-507-KIT-SS	AI-1-6-507-KIT-SS-RUB	AI-1-6-507-KIT-T	1	10.6	7.3	3 x <sup>1</sup> / <sub>2</sub> -13 UN	0.5
2 1/2 Gallon, 6000 psi	AI-2.5-6-507-KIT	AI-2.5-6-507-KIT-RUB	AI-2.5-6-507-KIT-SS	AI-2.5-6-507-KIT-SS-RUB	AI-2.5-6-507-KIT-T	1	13	10	3.5 x <sup>1</sup> / <sub>2</sub> -13 UN	0.5
5-15 Gallon, 6000 psi	AI-S6-507-KIT	AI-S6-507-KIT-RUB	AI-S6-507-KIT-SS	AI-S6-507-KIT-SS-RUB	AI-S6-507-KIT-T	2	13	10	3.5 x <sup>1</sup> / <sub>2</sub> -13 UN	0.5
1-15 Gal. Washer	AI-509	AI-509	AI-509-SS	AI-509-SS	AI-509-T					
1-15 Gal. Stop Nut	AI-508	AI-508	AI-508-SS	AI-508-SS	AI-508-T				1/ <sub>2</sub> -13 UN	

Note: All mounting U-Bolts are sold in kit form with the appropriate elastic stop nuts and washers. All standard units are zinc plated carbon steel. Rubber Coated units are Carbon or Stainless Steel, shrunk-fit with Buna-Nitrile rubber. DuPont™ Teflon® coated units are carbon steel with *teflon* spray coating. Consult the factory for details.

**OTHER CUSTOM DESIGNS, SIZES AND COATINGS ARE AVAILABLE. Contact Sales Dept. for details**

*Dimensions are nominal and may vary due to manufacturing tolerances.*

It is recommended that you have the bolt on-hand when drilling mounting plate

### MATRIZ:

Dirección: Clemente Ballén 1707 y Av. del Ejercito.  
 Telef: 2323939 - 2531923 - 2522228  
 0999586009  
 ventas2@hydromecanica.com

### QUITO:

Dirección: Av. 6 de Diciembre N48-103 y  
 Manuel de Lizarzaburu  
 Telef: (02)2409322 - (02)2411921 0983729761  
 ventas\_quito@hydromecanica.com

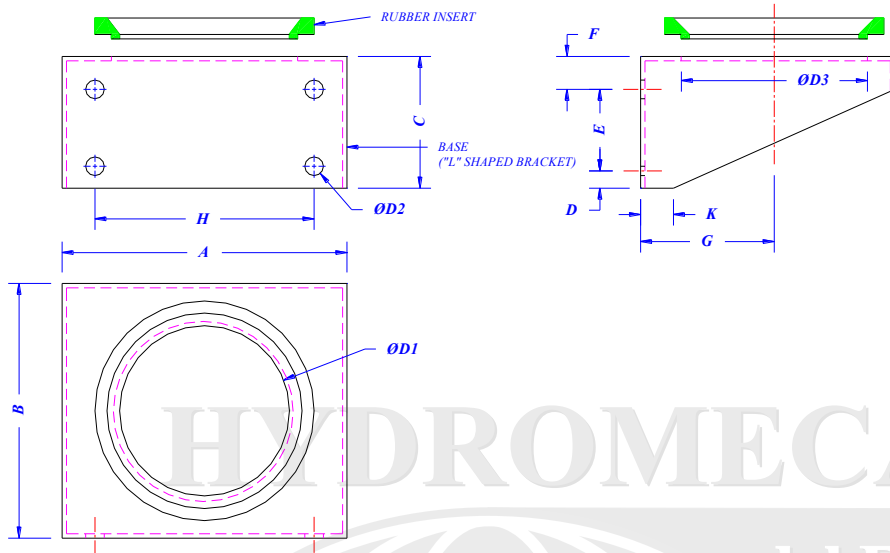
### SUCURSAL NORTE:

Dirección: Km.3 Av. Juan Tanca Marengo,  
 Frente a Caterpillar, a lado de las antenas de TV Cable.  
 Telef: 2381994 - 2315850 0997689047  
 hydecua\_gye@hydromecanica.com



BLADDER | PISTON | DIAPHRAGM

## HARDWARE DE MONTAJE: BASES



Dimensions in inches

Description	Part Number	A	B	C	D	D1	D2	D3	E	F	G	H
1 Quart 3000 & 5000 psi Base	AI-1QT-512	7.9	6.9	3.5	0.7	4.3	0.4	4.7	1.6	1.2	3.7	5.5
1 Quart Stainless Steel Base	AI-1QT-512-SS	7.9	6.9	3.5	0.7	4.3	0.4	4.7	1.6	1.2	3.7	5.5
1 Gallon 3000 & 6000 psi Base	AI-1-512	10.2	8.9	3.9	1.0	4.3	0.7	4.7	1.6	1.4	3.6	7.9
1 Gallon Stainless Steel Base	AI-1-512-SS	10.2	8.9	3.9	1.0	4.3	0.7	4.7	1.6	1.4	3.6	7.9
1 QT and 1 G Rubber Insert Replacement	AI-1QT-513					4.3		4.7				
2 1/2-15 Gallon 3000 psi Base	AI-S-512	10.2	8.9	3.9	1.0	6.3	0.7	6.7	1.6	1.4	4.8	7.9
2 1/2-15 Gallon 3000 Stainless Steel Base	AI-S-512-SS	10.2	8.9	3.9	1.0	6.3	0.7	6.7	1.6	1.4	4.8	7.9
2 1/2-15 Gallon 6000 psi Base	AI-S6-512	10.2	9.4	3.9	1.0	7.9	0.7	6.7	1.6	1.4	5.3	7.9
2 1/2-15 Gallon 6000 Stainless Steel Base	AI-S6-512-SS	10.2	9.4	3.9	1.0	7.9	0.7	6.7	1.6	1.4	5.3	7.9
2 1/2-15 Gallon Rubber Insert Replacement	AI-S-513					6.3		4.7				

Note: All mounting bases are sold in kit form and include the rubber insert. Mounting bolts are not included. Mounting collars sold separately. Replacement rubber inserts may be purchased separately. Standard Mounting bases are zinc plated carbon steel. Stainless steel units are 300 series stainless.

*Dimensions are nominal and may vary due to manufacturing tolerances.*

**Cathodic Isolation:** These rubber lined bases can be used in conjunction with our rubber lined Mounting Collars for the complete electrical isolation of the accumulator

**MATRIZ:**

Dirección: Clemente Ballén 1707 y Av. del Ejercito.  
 Telef: 2323939 - 2531923 - 2522228  
 0999586009  
 ventas2@hydromecanica.com

**QUITO:**

Dirección: Av. 6 de Diciembre N48-103 y  
 Manuel de Lizarzaburu  
 Telef: (02)2409322 - (02)2411921 0983729761  
 ventas\_quito@hydromecanica.com

**SUCURSAL NORTE:**

Dirección: Km.3 Av. Juan Tanca Marengo,  
 Frente a Caterpillar, a lado de las antenas de TV Cable.  
 Telef: 2381994 - 2315850 0997689047  
 hydecua\_gye@hydromecanica.com

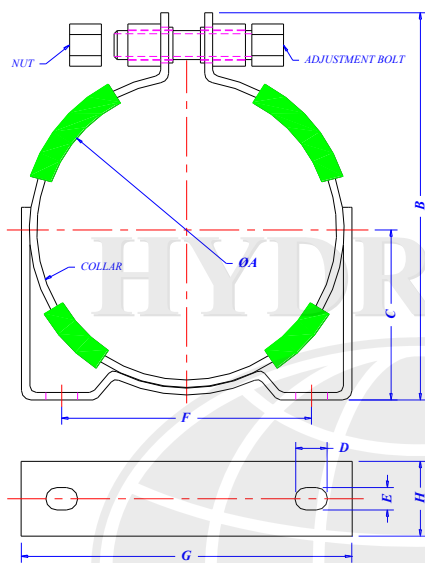


BLADDER | PISTON | DIAPHRAGM

## HARDWARE DE MONTAJE: COLLARES

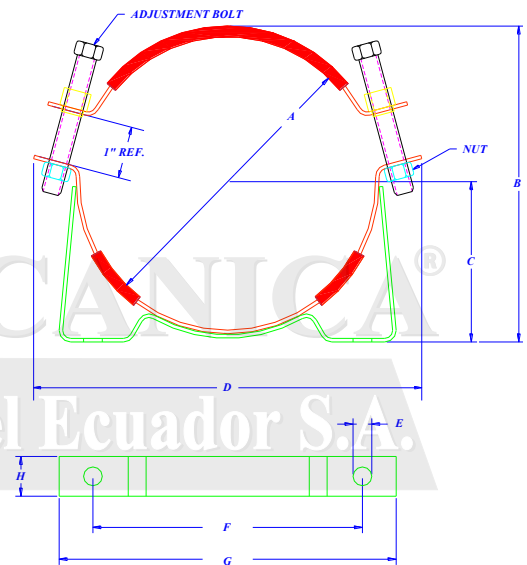
### 1 Quart and 1 Gallon

Fig. 1



### 2.5-15 Gallon

Fig. 2



Dimensions in inches

Description	Fig	Part Number Zinc Plated	Part Number Stainless <b>NEW</b>	A	B	C	D	E	F	G	H
1 Quart Collar, 3000 & 5000 psi	1	AI-1QT-511	AI-1QT-511-SS	4.7	6.6	2.7	0.5	0.4	3.9	5.6	1.2
1 Gallon Collar, 3000 psi	1	AI-1-511	AI-1-511-SS	6.9	8.8	3.9	0.5	0.4	6.3	7.6	1.3
1 Gallon Collar, 6000 psi	1	AI-1-6-511	AI-1-6-511-SS	7.3	9.8	4.3	0.5	0.4	6.3	8.4	1.3
2.5-15 Gallon Collar, 3000 psi	2	AI-S-511	AI-S-511-SS	8.9	9.6	4.7	12.8	0.6	8.5	10.6	1.3
2.5-15 Gallon Collar, 6000 psi	2	AI-S6-511	AI-S6-511-SS	9.5	10.3	5.3	13	0.6	8.5	10.6	1.3

**Note:** Mounting collars are sold in kit form, including the appropriate adjustment bolts and rubber cushions. Mounting bolts are not included. Standard Collars are plated with zinc. Stainless Steel collars are 300 series stainless. Mounting bases sold separately.

Call factory for other special order options.

*Dimensions are nominal and may vary due to manufacturing tolerances.*

#### MATRIZ:

Dirección: Clemente Ballén 1707 y Av. del Ejercito.  
 Telef: 2323939 - 2531923 - 2522228  
 0999586009  
 ventas2@hydromecanica.com

#### QUITO:

Dirección: Av. 6 de Diciembre N48-103 y  
 Manuel de Lizarzaburu  
 Telef: (02)2409322 - (02)2411921 0983729761  
 ventas\_quito@hydromecanica.com

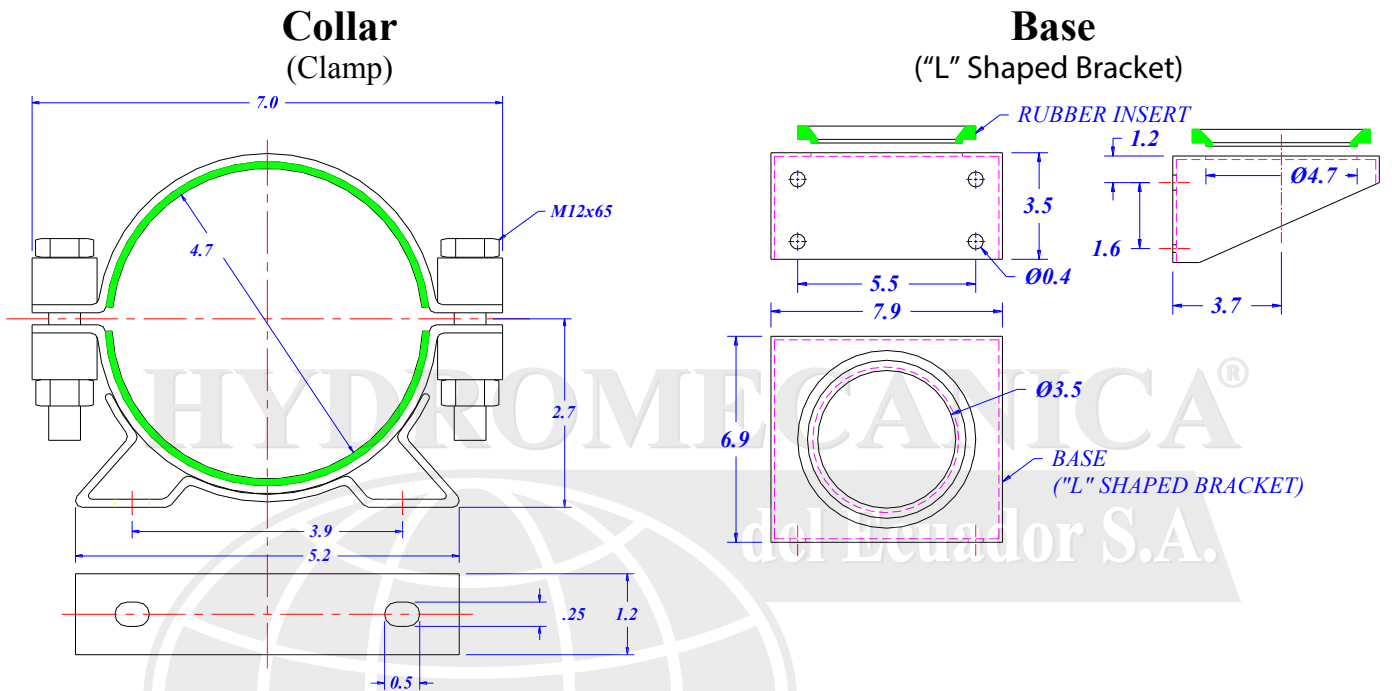
#### SUCURSAL NORTE:

Dirección: Km.3 Av. Juan Tanca Marengo,  
 Frente a Caterpillar, a lado de las antenas de TV Cable.  
 Telef: 2381994 - 2315850 0997689047  
 hydecua\_gye@hydromecanica.com



BLADDER | PISTON | DIAPHRAGM

## MOUNTING BRACKETS: COLLARS AND BASES FOR ACCUMIGHT



Description	Part Number
90-150 ci Accumight Collar	AM-511
30 ci Accumight Collar	AM-514
20 ci Accumight Collar	AM-516
6 ci Accumight Collar	AM-515

Description	Part Number
30-150 ci Accumight Base	AM-512
Rubber Insert for Accumight Base	AM-513

**Note:** Accumight collars are sold in kit form with the appropriate adjustment bolts and rubber cushions. Accumight bases are sold in kit form and include the rubber insert. Mounting bolts are not included. Replacement rubber inserts may be purchased separately. Collar and bases sold separately. Collars and bases are zinc plated.

Call factory for other special order options including stainless.

*Dimensions may vary due to manufacturing tolerances.*

MATRIZ:  
 Dirección: Clemente Ballén 1707 y Av. del Ejercito.  
 Telef: 2323939 - 2531923 - 2522228  
 0999586009  
 ventas2@hydromecanica.com

QUITO:  
 Dirección: Av. 6 de Diciembre N48-103 y  
 Manuel de Lizarzaburu  
 Telef: (02)2409322 - (02)2411921 0983729761  
 ventas\_quito@hydromecanica.com

SUCURSAL NORTE:  
 Dirección: Km.3 Av. Juan Tanca Marengo,  
 Frente a Caterpillar, a lado de las antenas de TV Cable.  
 Telef: 2381994 - 2315850 0997689047  
 hydecua\_gye@hydromecanica.com



BLADDER | PISTON | DIAPHRAGM

## HERRAMIENTAS DE REPARACIÓN DEL ACUMULADOR

Bladder Pull Rod			Spanner Wrench	
Part Number	For Sizes	Description	Part Number: AI-505	
AI-501	1qt-2.5 Gallon	1 pc kit		
AI-502	5 Gallon	2 pc kit		
AI-503	10-11 Gallon	3 pc kit		
AI-504	15 Gallon	4 pc kit		
			<h3>Valve Core Tool</h3> Part Number: AI-506 	
<h3>Gas Valve Extension, 3K</h3> Part Number: AI-TR-015 			<h3>TR6 Gas Valve Tool</h3> Part Number: AI-515 (2 pc set) 	
			<h3>Accumulator Lifting Hook Assembly</h3> Part Number: AI-511 	

**MATRIZ:**

Dirección: Clemente Ballén 1707 y Av. del Ejercito.  
 Telef: 2323939 - 2531923 - 2522228  
 0999586009  
 ventas2@hydromecanica.com

**QUITO:**

Dirección: Av. 6 de Diciembre N48-103 y  
 Manuel de Lizarzaburu  
 Telef: (02)2409322 - (02)2411921 0983729761  
 ventas\_quito@hydromecanica.com

**SUCURSAL NORTE:**

Dirección: Km.3 Av. Juan Tanca Marengo,  
 Frente a Caterpillar, a lado de las antenas de TV Cable.  
 Telef: 2381994 - 2315850 0997689047  
 hydecua\_gye@hydromecanica.com




BLADDER | PISTON | DIAPHRAGM

## BLOQUE DE SEGURIDAD DEL ACUMULADOR

### For Isolation and Emergency Shut-Off

The **Accumulator Safety Block** is a multifunctional valve placed between the hydraulic accumulator and the operating system. Our modular design permits versatility for mounting and a host of connection options for all hydraulic accumulators. The safety block allows for isolation of the Accumulator for maintenance or system testing. Additionally, it can function as an emergency shut-off device or pressure relief valve to protect from over-pressurization and system failure. Accumulator pressure and volume can also be safely released through the safety block's **Manual OR Solenoid** bleed valve.

**Selection Chart.** Select the Bleed Valve type, Accumulator Side Connection and Discharge Side Connection types to determine Part Number.

Safety Block	Bleed Valve	Description	Accumulator Side Connection	Discharge Side Connection	Gauge	
ASB	--	---	---	---	---	
<b>ASB</b> Standard Accumulator Safety Block core 	<b>M</b> Manually Operated	<b>Split Flange Kits</b> (includes O-ring(s), bolts and washers)	<b>FK3</b> 2" Code 61	<b>FK3</b> 2" Code 61	<b>G1</b> 3000 psi dry	
			<b>FK6</b> 1.5" Code 62	<b>FK6</b> 1.5" Code 62	<b>G2</b> 3000psi liquid fill SS	
		<b>E</b> Solenoid Operated 24v DC Solenoid	<b>Adapter Connector Kits 3000 psi</b> (includes Split Flange Kit)	<b>A31</b> 2" NPT (female)	<b>A31</b> 2" NPT (female)	<b>G3</b> 5000 psi dry
				<b>A36</b> 1 7/8"-12 SAE (male)	<b>A36</b> 1 7/8"-12 SAE (male)	<b>G4</b> 5000 psi liquid fill SS
				<b>A61</b> 1 5/8"-12 SAE (male)	<b>A61</b> 1 5/8"-12 SAE (male)	<b>G5</b> 6000 psi dry
				<b>A62</b> 1 7/8"-12 SAE (male)	<b>A62</b> 1 7/8"-12 SAE (male)	<b>G6</b> 6000 psi liquid fill SS
	<b>E1</b> 110v/115v AC solenoid	<b>Four Bolt Flange Adapter Plate Kits</b> (includes O-ring, bolts and washers)	<b>P31</b> 2" NPT (female)	<b>P31</b> 2" NPT (female)	<b>00</b> (None)	
			<b>P61</b> 1.5" NPT (female)	<b>P61</b> 1.5" NPT (female)		
			<b>P66</b> 1 7/8"-12 SAE (female)	<b>P66</b> 1 7/8"-12 SAE (female)		
			<b>No Connection</b> (Block is drilled for Split and four-bolt flanges)	<b>000</b> (None)	<b>000</b> (None)	

Component Parts (When ordered separately from the block)			
Connectors	Size /Type Thread	Kit Part No.	Component Part No.
Split Flange Kits (includes O-ring(s), bolts and washers)	2" Code 61	<b>AI-SB-FK3</b>	
	1.5" Code 62	<b>AI-SB-FK6</b>	
Adapter Connector Kits 3000 psi (includes Split Flange Kit)	2" NPT (female)	<b>AI-SB-AK31</b>	<b>AI-SB-A31</b>
	1 7/8"-12 SAE (male)	<b>AI-SB-AK36</b>	<b>AI-SB-A36</b>
Adapter Connector Kits 6000 psi (includes Split Flange Kit)	1 5/8"-12 SAE (male)	<b>AI-SB-AK61</b>	<b>AI-SB-A61</b>
	1 7/8"-12 SAE (male)	<b>AI-SB-AK62</b>	<b>AI-SB-A62</b>
Four Bolt Flange Adapter Plate Kits (includes O-ring, bolts and washers)	2" NPT (female)	<b>AI-SB-PK31</b>	
	1.5" NPT (female)	<b>AI-SB-PK61</b>	
	1 7/8"-12 SAE (female)	<b>AI-SB-PK66</b>	
Attachments		<b>3000 psi</b>	<b>6000 psi</b>
Split Flange Bolts (4)	AI-SB-M01	AI-SB-M02	
Adapter Plate Bolts (4)	AI-SB-M03	AI-SB-M04	
Bolts Washers (4)	AI-SB-M05	AI-SB-M06	

#### O-Ring Designations For the Split Flanges

2" Code 61 AI-SF3-410  
1.5" Code 62 AI-SF6-410

**For Adapter Connectors 3000 psi**  
(male side)  
1 7/8"-12 SAE AI-A36-410

**For Adapter Connectors 3000 psi**  
(male side)  
1 7/8"-12 SAE AI-A62-410  
1 5/8" SAE AI-A61-410

**For the Four Bolt Flanges**  
2" NPT AI-SF3-410  
1.5" NPT AI-SF6-410  
1 7/8"-12 SAE AI-SF6-410

Replacement Solenoid Cartridge Valve  
ASB-E-404

**Note: Custom Parts are available  
for special applications  
at additional cost and extended lead times.**

#### MATRIZ:

Dirección: Clemente Ballén 1707 y Av. del Ejercito.  
Telef: 2323939 - 2531923 - 2522228  
0999586009  
ventas2@hydromecanica.com

#### QUITO:

Dirección: Av. 6 de Diciembre N48-103 y  
Manuel de Lizarzaburu  
Telef: (02)2409322 - (02)2411921 0983729761  
ventas\_quito@hydromecanica.com

#### SUCURSAL NORTE:

Dirección: Km.3 Av. Juan Tanca Marengo,  
Frente a Caterpillar, a lado de las antenas de TV Cable.  
Telef: 2381994 - 2315850 0997689047  
hydecua\_gye@hydromecanica.com